

KB Killbros**SeedVeyor®**

Models 260 and 360 Seed Tenders



Model 102 Bulk Box Carrier ***Saving you more time and labor at planting!***

The Killbros® SeedVeyor® models 260 and 360 seed tenders and model 102 bulk box carrier combine high-speed delivery with operator-friendly control for unmatched seed-planting efficiency.



SeedVeyor®

Models 260 and 360 SEED TENDERS

Unmatched seed-planting efficiency

Time and convenience are two of your most valuable commodities at planting. That's why more growers are discovering the benefits of delivering seed to the field and planter box in a bulk seed-handling unit like the SeedVeyor® models 260 and 360.

Equipped with your choice of an unloading auger or conveyor, SeedVeyor models 260 and 360 feature a dual-compartment hopper with 260- and 360-unit seed capacity, respectively. The steep-sloped sidewalls ensure fast and complete unloading.

- Auger
 - Poly-cupped auger flighting gently carries seed at speeds up to 10 bushels per minute
 - Powered by a 5.5 hp/160cc Honda gas engine with electric start and clutch direct-drive system
- Conveyor
 - Conveyor features a 6" tube with an 8" cleated belt or an 8" tube with a 12" cleated (8"-tube conveyor on model 360 only) belt to gently carry seed at speeds up to 12 or 25 bushels per minute
 - Brush and patented side seals on the conveyor inlet minimize seed damage by preventing seed from back-feeding
 - Conveyors are powered by a 5.5 hp/160 cc (6" conveyor) or 9 hp/270 cc (8" conveyor) Honda gas engine with electrical start and centrifugal clutch direct-drive system for quickest response
- 180° conveyor/auger swing
- Winch-controlled height adjustment for unloading ease
- Hinged/removable bottom door on conveyor/auger for complete cleanout
- Conveyor/auger locks into transport position at either front or back
- Undercarriage and transport
 - Undercarriage offers rubber-cushioned suspension, triple axles and electric brakes on the model 360; tandem dual axles and electric brakes on the model 260
 - Standard highway-rated tires, lights, reflectors, ball hitch and transport chain





Winch-operated vertical height adjustment on conveyor allows for easy filling of different planter types.



Available with gooseneck hitch.



Standard 18-ounce Weatherguard roll-over tarp protects contents from weather and stays tightly locked, even at highway speeds.



The 18' steel tube with 5' telescoping downspout reaches up to 30'.

Controls and convenience

- Regulate unloading speed by simply adjusting engine speed
- Easy-opening slide doors with rubber funnel that regulates seed flow into the intake and prevents overflow
- Dual viewing windows to easily monitor contents during loading and unloading
- Easy-to-operate hand controller with strong magnet that attaches to SeedVeyor when not in use



Poly-cupped auger flighting gently moves seed at speeds up to 10 bushels per minute.

OPTIONS

- Electronic scale package with large screen for easy viewing
- Spare tire package
- 10' three-stage telescopic downspout for additional reach and filling convenience
- Electric lift/lower
- Gooseneck hitch
- Pintle hitch
- Clevis hitch

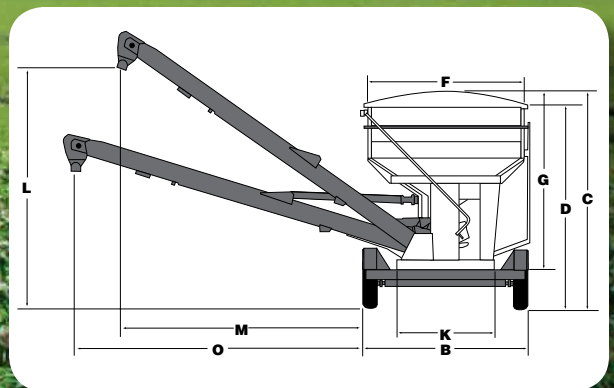
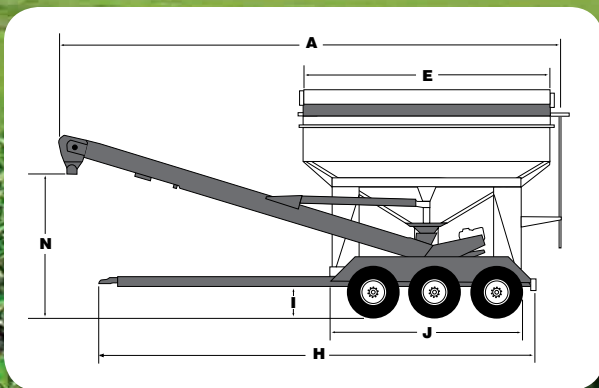


Specifications*	Model 260	Model 360
Approx. empty weight (lbs.)	5,100	5,900
Tongue weight — loaded (lbs.)	1,000	1,000
Hitch type	2 5/16" ball	2 5/16" ball
Lighting connector	7-pin flat	7-pin flat
A Overall length	24' 5"	24' 5"
B Transport width	8' 6"	8' 6"
C Transport height	9' 11"	10' 11"
D Overall load height	9' 3"	10' 3"
E Tank length	12'	12'
F Tank width	8'	8'
G Tank height	8' 1"	9' 1"
H Undercarriage length	21'	21'
I Deck height	1' 10"	1' 10"
J Tank base length	9' 4"	9' 4"
K Tank base width	5'	5'
Unloading Specifications		
Height — transport	6' 10"	6' 10"
L Max. unload height	12' 6"	12' 6"
M Reach (max. height)	12' 5"	12' 5"
N Min. unload height	6' 10"	6' 10"
O Reach (min. height)	14' 8"	14' 8"

T&G Applicator

- Mounts to conveyor/auger intake for talc and other seed-fluency agents
- On-off control synched with auger/conveyor
- Internal agitator keeps talc flowing
- Flow-control valve for easy rate adjustment

* Due to continuing improvements in the design and manufacture of Killbros products, all specifications contained herein are subject to change without notice.



Model 102 **BULK BOX CARRIER**

Like the Killbros SeedVeyor models 260 and 360, the SeedVeyor model 102 bulk box carrier provides growers the advantages of cost-effective time and labor efficiency by delivering bulk seed directly to the field to your planter or drill.

Equipped with your choice of an unloading conveyor or auger, the SeedVeyor model 102 bulk box carrier features a capacity of approximately 100 seed units and comes equipped with an easy-opening 5" x 6" door with a rubber funnel that regulates seed flow into the intake.

- **Conveyor**

- The 8" cupped and cleated belt inside the 6" steel tube gently carries seed at speeds up to 12 bushels per minute
- Brush and patented side seals on the conveyor inlet minimize seed damage by preventing seed from back-feeding

- **Auger**

- Poly-cupped auger flighting gently carries seed at speeds up to 10 bushels per minute
- Standard on/off wired remote with magnetic mount
- 18' steel tube with 4' – 6' telescoping downspout can reach 30' and is removable for filling
- Hinged bottom door on conveyor or auger allows for easy and complete cleanout
- The conveyor/auger locks into storage position at either the front or back of the tender
- Undercarriage features rubber-cushioned suspension, tandem axles with electric brakes, highway-rated tires, LED lights and reflectors
- A two-part urethane enamel finish and silicone-sealed seams for a long-lasting finish on the body; undercarriage, conveyor/auger and other parts are powder-coated to resist corrosion



- Powered by a 5.5 hp/160 cc Honda gas engine with electric start
- Unloading speed is regulated by engine speed
- Conveyor/auger base features rollers that pivot a full 180° and can be locked into place for unloading
- Pivot track features bolt-on stainless steel wear plates for longer life



Dual unloading chutes feed the intake from a central point for greater unloading efficiency. Protective lids cover unloading chutes when not in use to keep out moisture and debris.





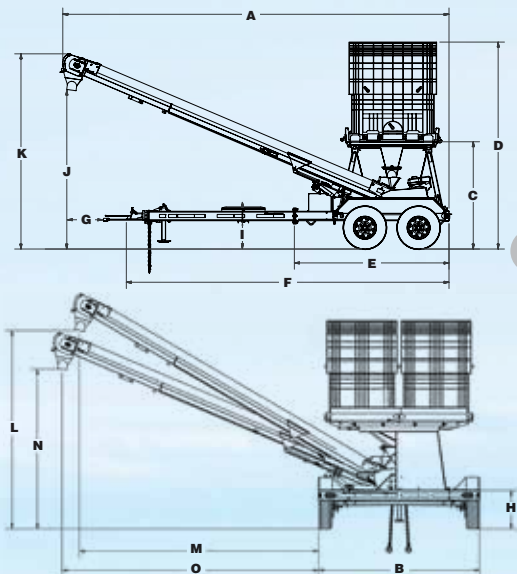
Killbros SeedVeyor Model 102 Bulk Box Carrier Specifications*

Description	Model 102
Height — transport	6' 10"
Approximate empty weight	3,300 lbs.
Loaded tongue weight	700 lbs.
Hitch type standard/optional	2 5/16" ball/3" pintle
Lighting connector	7-pin flat
Standard downspout reach (2-stage)	30' (12-row planter)
Standard downspout reach (3-stage)	40' (16-row planter)
A Overall length with bumper hitch	20' 6"
B Overall width	8' 6"
C Overall height	5' 6"
D Overall load height	10' 9"
E Platform length	8' 2"
F Undercarriage length	17'
G Overall length past the hitch	3' 6"
H Undercarriage deck height	1' 10"
I Undercarriage under-frame clearance	1' 1"
Conveyor/Auger Specifications	
J Spout transport height	8' 8"
K Overall transport height	10' 9"
L Optional unload height (with electric lift)	11' 2"
M Optional unload reach (with electric lift)	12'
N Standard unload height	10' 2"
O Standard unload reach	13'

*Due to continuing improvements in the design and manufacture of all Killbros products, all specifications contained herein are subject to change without notice.

ACCESSORIES

- 10' 3-stage telescopic downspout for up to 40' reach (16-row planter)
- Spare tire
- Electric cylinder for more than 4' of height adjustability
- Canvas hopper cover
- T&G Applicator
 - Mounts to conveyor/auger intake for talc, graphite and other seed-fluency agents
 - On/off control synched with auger/conveyor
 - Internal agitator keeps talc/graphite flowing
 - Flow-control valve for easy rate adjustment



Standard heavy-duty jack, 2 5/16" ball hitch for easy hitching and transport chains.



Scale for verifying seed delivered/loaded is enclosed in weather-tight box.

Unverferth Manufacturing Company, Inc.

P.O. Box 357 • Kalida, Ohio 45853
(419) 532-3121 • unverferth.com

1-800-322-6301

See your nearest Killbros dealer today for complete details or visit www.killbrosequip.com.

Please remind all family members and others to use caution and follow recommended safety practices when around all farm equipment. Unverferth Manufacturing Co., Inc., supports the efforts of Farm Safety 4 Just Kids and all other organizations that promote farm safety.

©2014 Unverferth Manufacturing Co., Inc. Printed in U.S.A.

®™ Trademarks, registered or applied for, of Unverferth Manufacturing Co., Inc., Kalida, OH
Additional facilities in California, Georgia, Iowa, Nebraska, North Dakota, Oregon and Canada
U.S. Patent 6,690,499



KBSV419080M5