

**KB****Killbros****GRAIN CARTS****1150** | 500 BU CAPACITY  
14" AUGER**1160** | 600 BU CAPACITY  
14" AUGER**1175** | 750 BU CAPACITY  
17" AUGER**1185** | 850 BU CAPACITY  
17" AUGER**1195** | 1000 BU CAPACITY  
17" AUGER

If you're looking for a dependable, valuable and timesaving addition to your farming operation, look to the Killbros® 1100 family of grain carts. All models feature the quality materials and construction associated with Killbros products for more than 40 years, plus their added features will help you improve your harvest productivity.

# Killbros

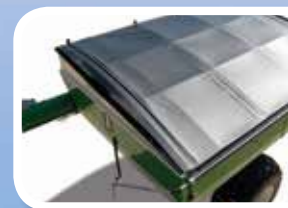
## FEATURES AND BENEFITS

- 1 ◀ Hydraulically operated flow-control door with gauge for metering grain also allows for easy topping off of trucks
- 2 ◀ The thick, heavy-duty plasma-cut drive assembly features precise auger engagement for extended life. The spring-loaded upper auger ensures proper auger engagement when folding into operation, and the computer-balanced auger flighting ensures smooth unloading
- 3 ◀ Convenient storage for hydraulic hoses
- 4 ◀ Tubular frame construction for added strength and durability
- 5 ◀ Standard auger light for nighttime unloading
- 6 ◀ Direct-mounted auger-fold cylinder provides positive locking control with fewer moving parts. Killbros 1100-series carts feature nickel undercoating and chrome plating on the cylinder for the best protection against weathering
- 7 ◀ Lower auger sump placement enables steeper front and rear slopes for complete and easy cleanout



## AVAILABLE OPTIONS

- Hydraulic spout directs grain straight down, or outward, for unloading convenience
- Roll-over tarp to protect grain
- UHarvest™ data system provides full ISO terminal or tablet operation while it tracks, stores and sends detailed harvest information; or choose the basic scale package for accurately storing load weights
- Hydraulic drive kit



**1150** | 500 BU CAPACITY  
14" AUGER

**1175** | 750 BU CAPACITY  
17" AUGER

**1185** | 850 BU CAPACITY  
17" AUGER



- Transport lights and reflective striping for safer road travel
- Viewing windows in front and back offer safer and easier viewing of cart contents



- Clevis or single tang, swivel-style hitch prevents damage to tractor drawbar
- Heavy-duty jack with storage slot while in use
- Standard safety chain for safer transport



- Heavy-duty bolt-on spindles allow for easy addition of scales



- Lever-activated cleanout door

## OTHER FEATURES

- Shear bolt-protected driveline with extra shear bolts that store along the tongue for minimal downtime
- Nonslip surface on tongue and viewing ladder
- Choose red or green high-quality enamel paint



0 BU CAPACITY  
" AUGER

**1195** | 1000 BU CAPACITY  
17" AUGER

**1160** | 600 BU CAPACITY  
14" AUGER

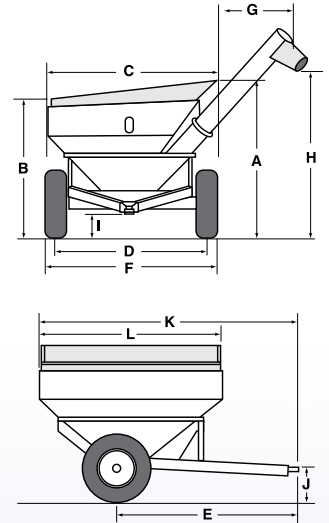


# 1100-SERIES GRAIN CARTS SPECIFICATIONS

**Kilbros**

Model	1150	1160	1175	1185	1195
Unloading time	300 bu./min	300 bu./min	400 bu./min	400 bu./min.	400 bu./min.
Hitch, standard	Clevis	Single	Single	Single	Single
Approx. empty weight	6,100 lbs.	6,300 lbs.	8,790 lbs.	9,200 lbs.	12,330 lbs.
Est. loaded tongue weight	3,200 lbs.	3,600 lbs.	3,820 lbs.	5,200 lbs.	6,100 lbs.
Auger size	14"	14"	17"	17"	17"
Tires, standard (10-bolt hub)	20.8 x 38 R-1	24.5 x 32 R-3	24.5 x 32 R-3	30.5 x 32 R-3	35.5 x 32 R-3
Spindle diameter*	2-7/8"	3-3/4"	3-3/4"	3-3/4"	3-3/4"
PTO yoke, standard	1-3/8" x 21 spline	1-3/8" x 21 spline	1-3/4" x 20 spline	1-3/4" x 20 spline	1-3/4" x 20 spline
Slopes – front and rear	36°	36°	37°	37°	37°
Slopes – right/left	43.5/38°	43.5/38°	42.5/41°	42.5/41°	43/40°
A	11'	11' 6"	12' 4"	12' 8"	12' 6"
B	9' 8"	10' 2"	10' 10"	11' 1"	11' 6"
C	11' 10"	11' 10"	11' 11"	11' 11"	11' 11"
D	10'	10'	10'	10'	11' 4"
E	13' 9"	13' 9"	15' 3"	15' 3"	18' 3"
F	11' 9"	12' 1"	12' 4"	12' 7"	12' 10"
G	7' 3"	7' 3"	7' 6"	7' 6"	7' 11"
H (STD)	13' 2"	13' 2"	14' 5"	14' 7"	14' 7"
H (OPT hydraulic spout)	12' 2"	12' 2"	13' 5"	13' 7"	13' 7"
I	1' 6"	1' 6"	1' 6"	1' 6"	1' 4"
J	1' 8"	1' 8"	1' 8"	1' 8"	1' 4"
K	19' 5"	19' 5"	24' 6"	24' 6"	27' 7"
L	13' 9"	13' 9"	16'	16'	21' 6"

Capacities measured with #2 corn @ 15% moisture (56 lb. test weight)  
\* Constructed of special alloy steel



## Grain Cart Loaded Tire P.S.I. Specifications — 3" Penetration Comparative Guide

Tire Sizes	Model Number				
	1150	1160	1175	1185	1195
480/80x46 Duals	—	—	—	—	17.76
420/80x46 Duals	—	—	16.12	17.92	—
520/85x42 Duals	—	—	12.40	12.80	15.43
20.8x38	—	—	24.80	—	—
1050/50x32	—	—	—	—	16.80
35.5x32	—	—	—	15.36	18.32
900/60x32	—	—	—	20.81	25.09
30.5x32	13.62	16.05	20.59	22.89	—
24.5x32	16.49	19.29	24.79	27.57	—
23.1x26	17.20	—	—	—	—

**Stop by your nearest Killbros dealer to see how the 1100-series grain carts can help make your farming operation more efficient. For more information, and to find your nearest Killbros dealer, visit us at [killbrosequip.com](http://killbrosequip.com).**

**Unverferth**  
Manufacturing Company, Inc.

P.O. Box 357 • Kalida, Ohio 45853  
(419) 532-3121 • [unverferth.com](http://unverferth.com)

**1-800-322-6301**

[www.killbrosequip.com](http://www.killbrosequip.com)

Please remind all family members and others to use caution and follow recommended safety practices when around all farm equipment. Unverferth Manufacturing Co., Inc., supports the efforts of Farm Safety 4 Just Kids and all other organizations that promote farm safety.

©2013 Unverferth Manufacturing Co., Inc. Printed in U.S.A.

®™ Trademarks, registered or applied for, of Unverferth Manufacturing Co., Inc., Kalida, OH  
Additional facilities in California, Georgia, Iowa, Nebraska, North Dakota, Oregon and Canada



1100KB313090M5