



COULTERS - FALLOW MASTER

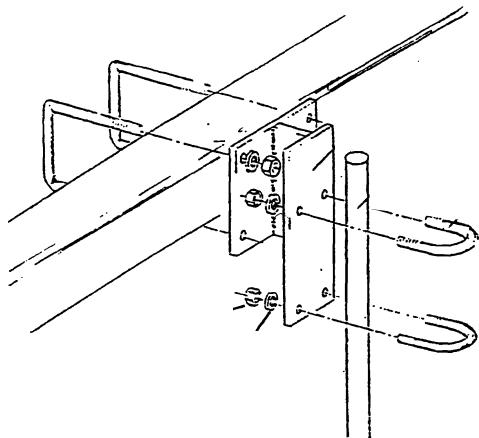
INSTALLATION MANUAL



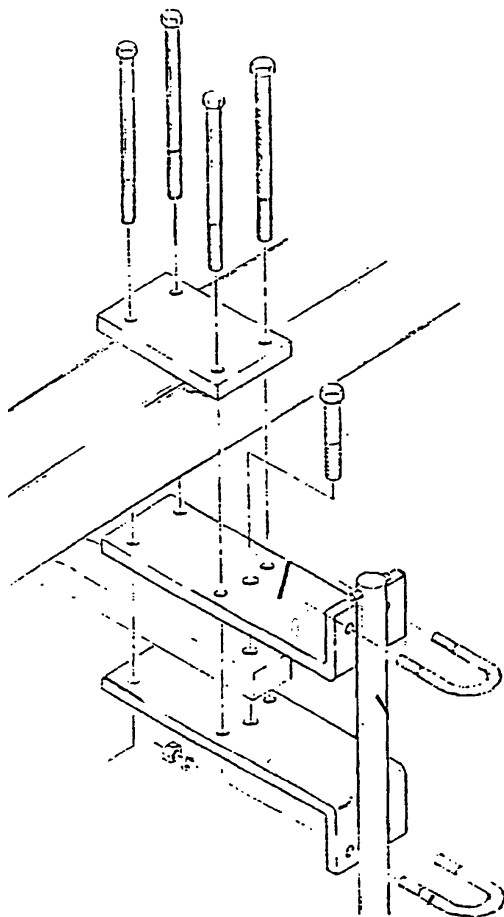
IM06-01-01

COULTER DESCRIPTIONS AND SHANK MOUNT ILLUSTRATIONS

1.

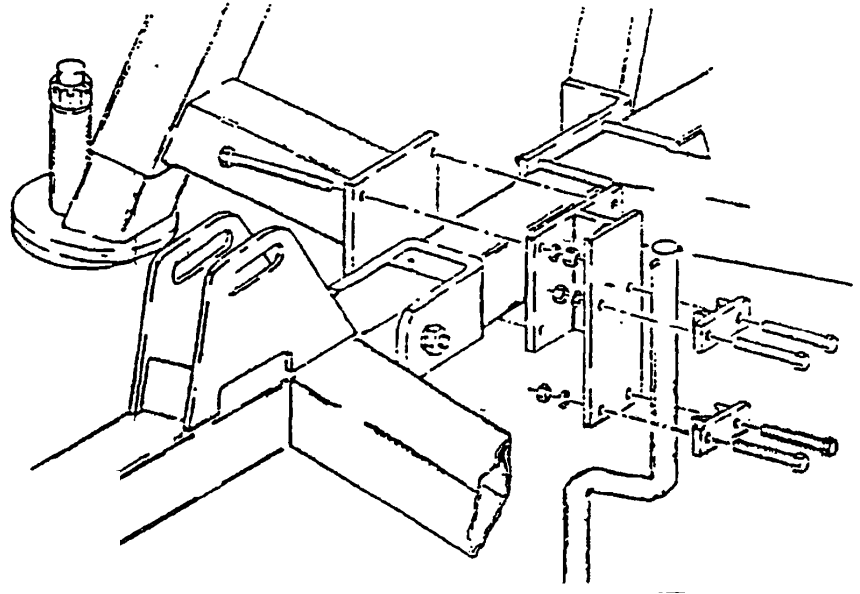


2.

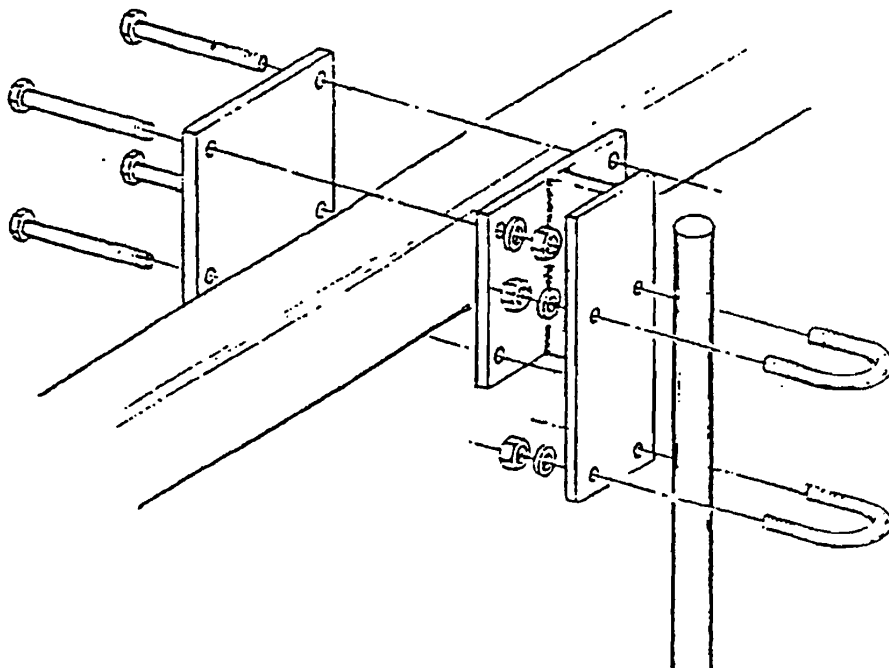


COULTER DESCRIPTIONS AND SHANK MOUNT ILLUSTRATIONS

3.

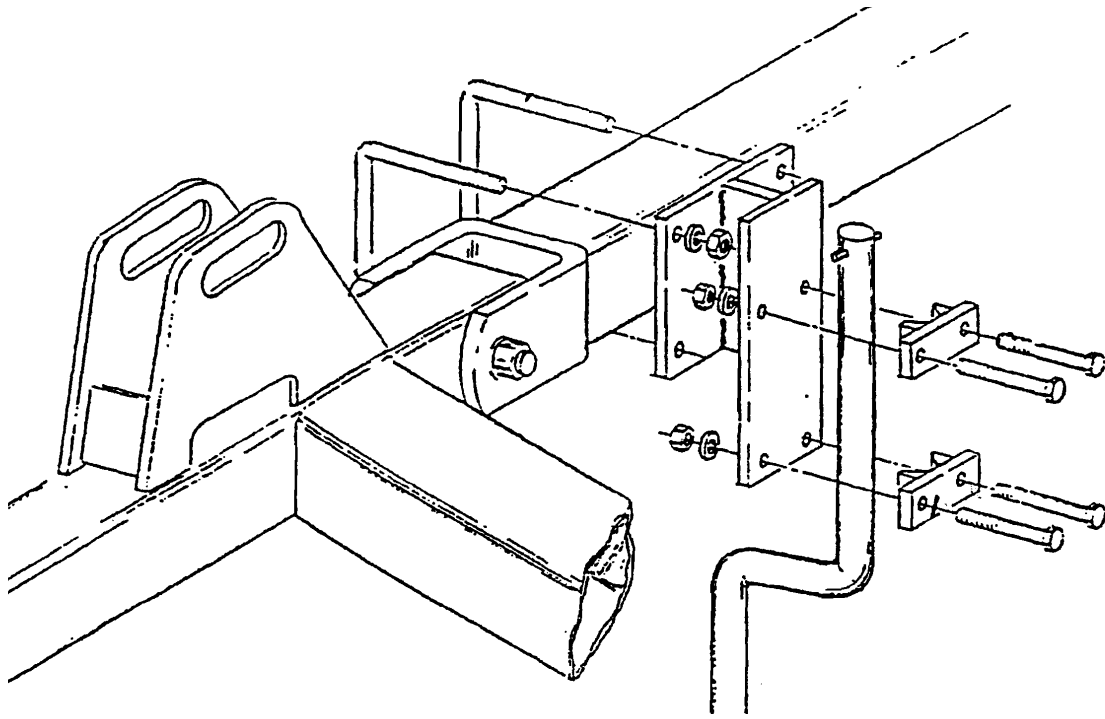


4.

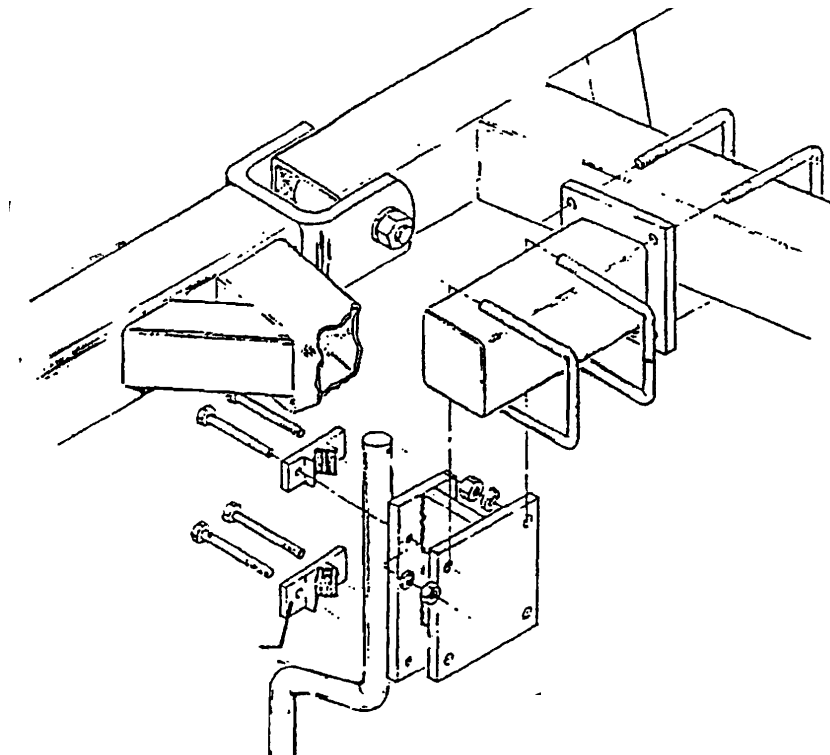


COULTER DESCRIPTIONS AND SHANK MOUNT ILLUSTRATIONS

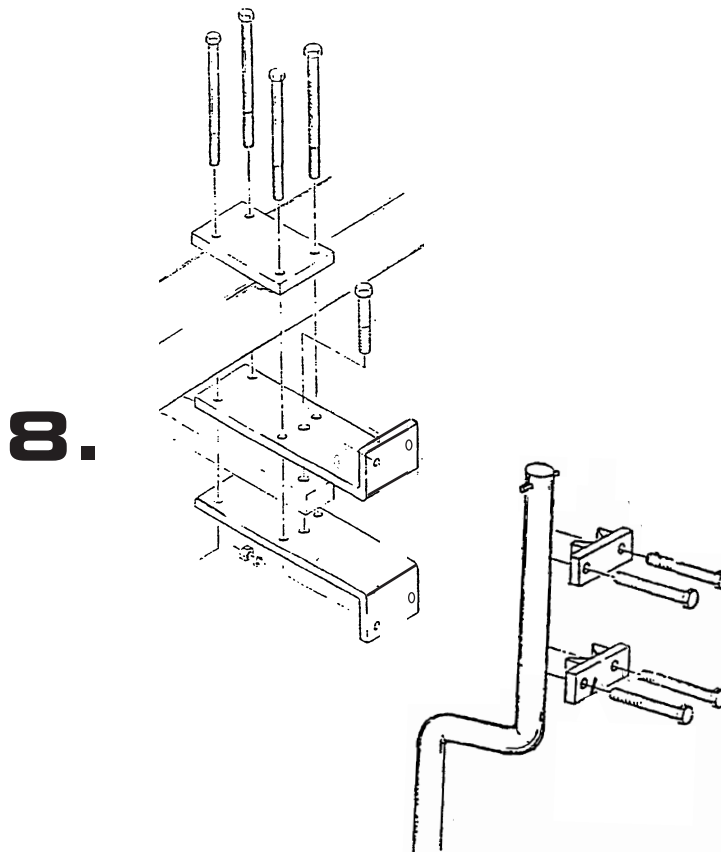
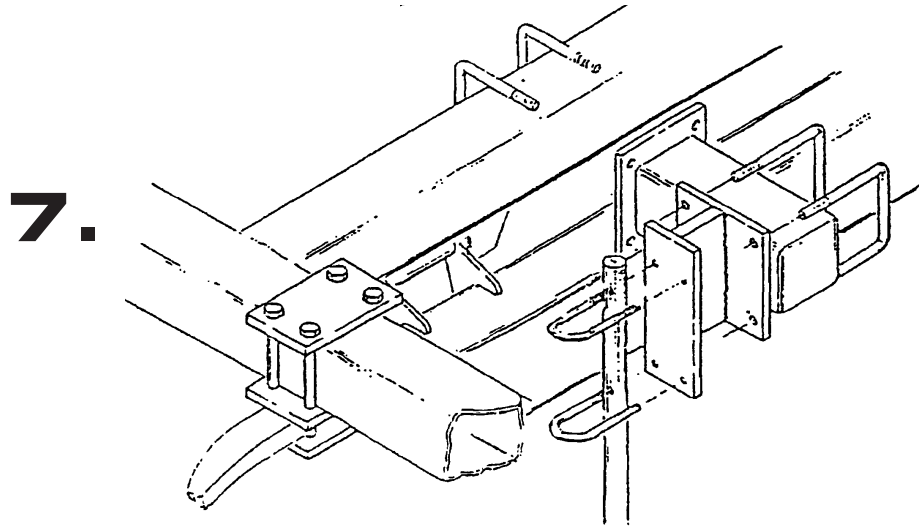
5.



6.



COULTER DESCRIPTIONS AND SHANK MOUNT ILLUSTRATIONS

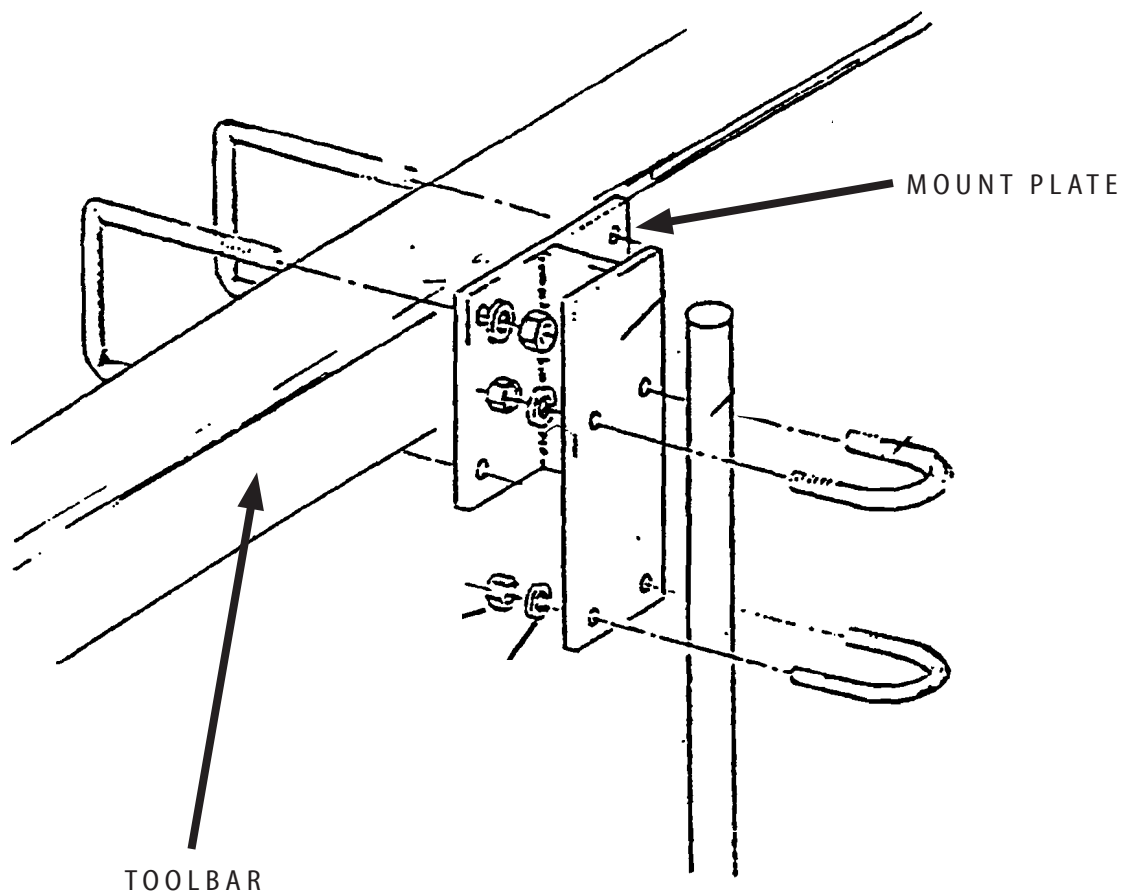


COULTER DESCRIPTIONS AND SHANK MOUNT ILLUSTRATIONS

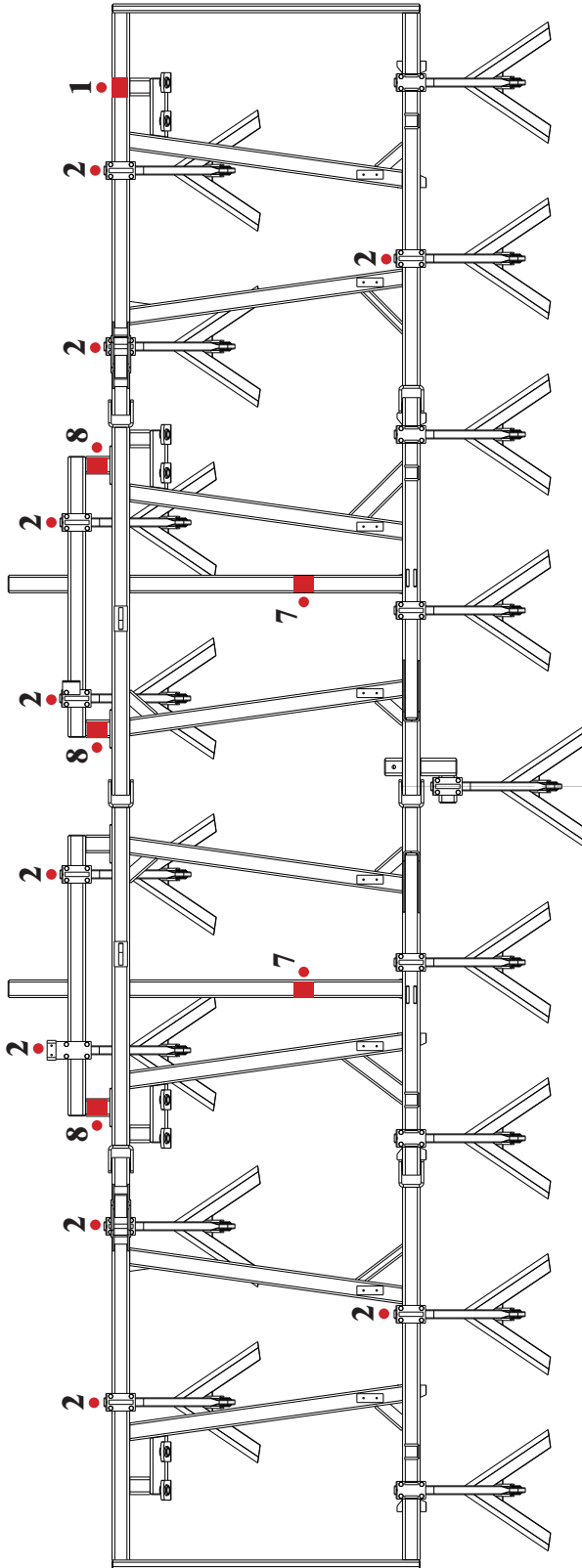
SPACER PLATE IS PLACED BETWEEN THE MOUNT PLATE AND TOOLBAR

(USE LONGER U-BOLTS WHEN MOUNTING A #9)

9.



4 section 28 foot Fallow Master Coulters mounting locations:

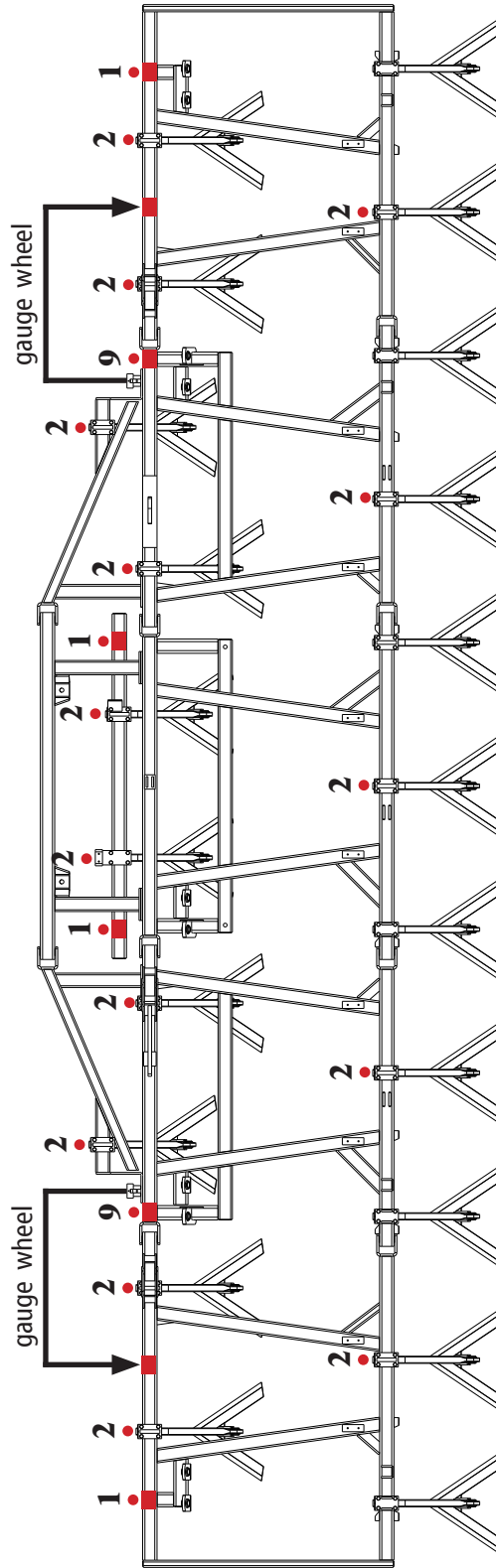


The 4 section 28 foot Fallow Master Coulters package consists of:

- three - #8's (offset shanks)
- two - #1's (straight shanks)
- two - #7's (straight shanks)
- ten - #2's (straight shanks)

- 1** = SHANK MOUNT STYLE
- = COULTER POSITION
- = MOUNT POSITION

5 section 35 foot Fallow Master Coulter mounting locations:



The 5 section 35 foot Fallow Master Coulter package consists of:

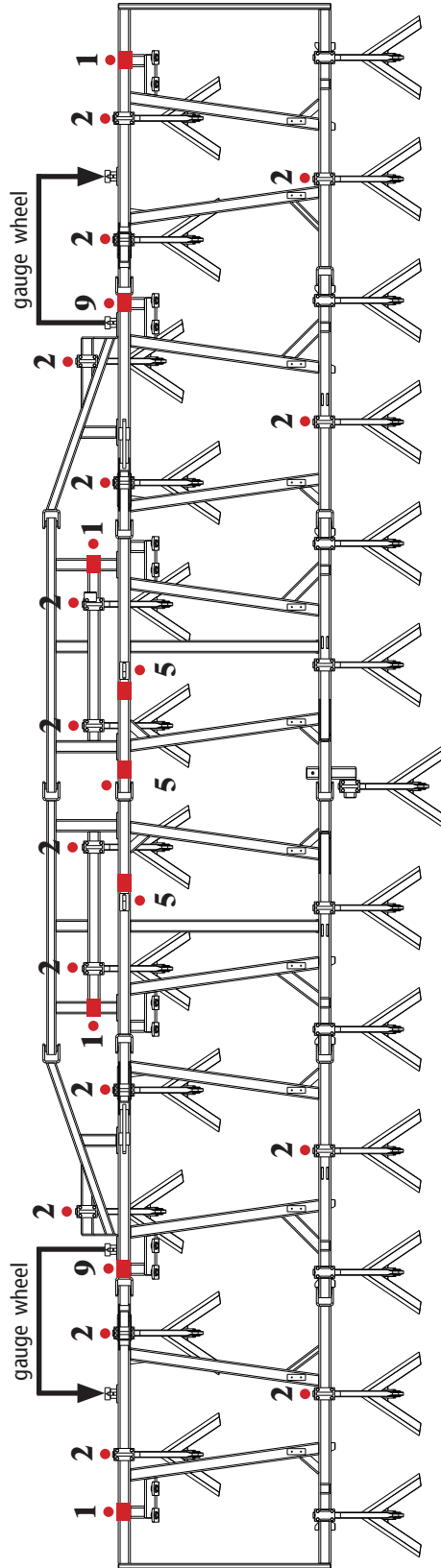
- two - #9's (straight shanks)
- fifteen - #2's (straight shanks)
- four - #1's (straight shanks)

1 = SHANK MOUNT STYLE

● = COULTER POSITION

■ = MOUNT POSITION

6 section 42 foot Fallow Master Coulters mounting locations:



The 6 section 42 foot Fallow Master Coulters package consists of:

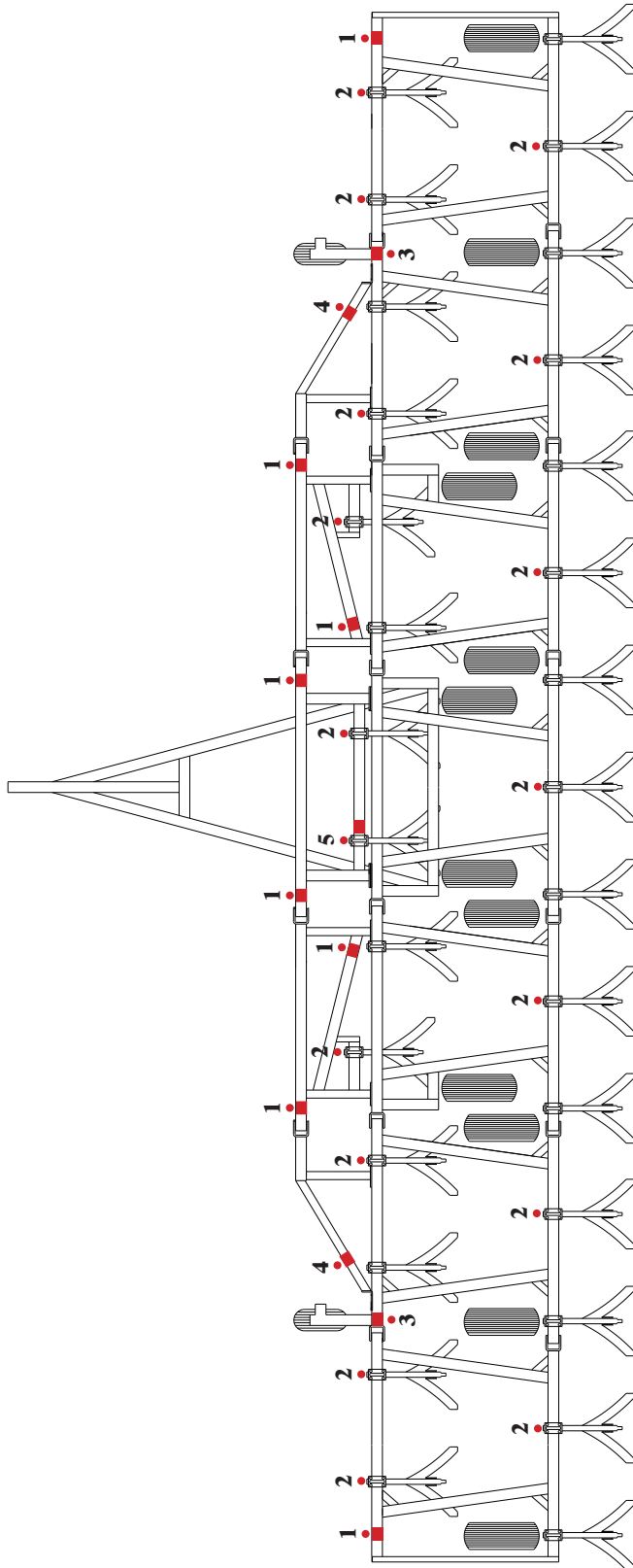
- two - #9's (straight shanks)
- three - #5's (offset shanks)
- four - #1's (straight shanks)
- sixteen - #2's (straight shanks)

1 = SHANK MOUNT STYLE

● = COULTER POSITION

■ = MOUNT POSITION

7 section 49 foot Fallow Master Coulters mounting locations:



The 7 section 49 foot Fallow Master Coulters package consists of:

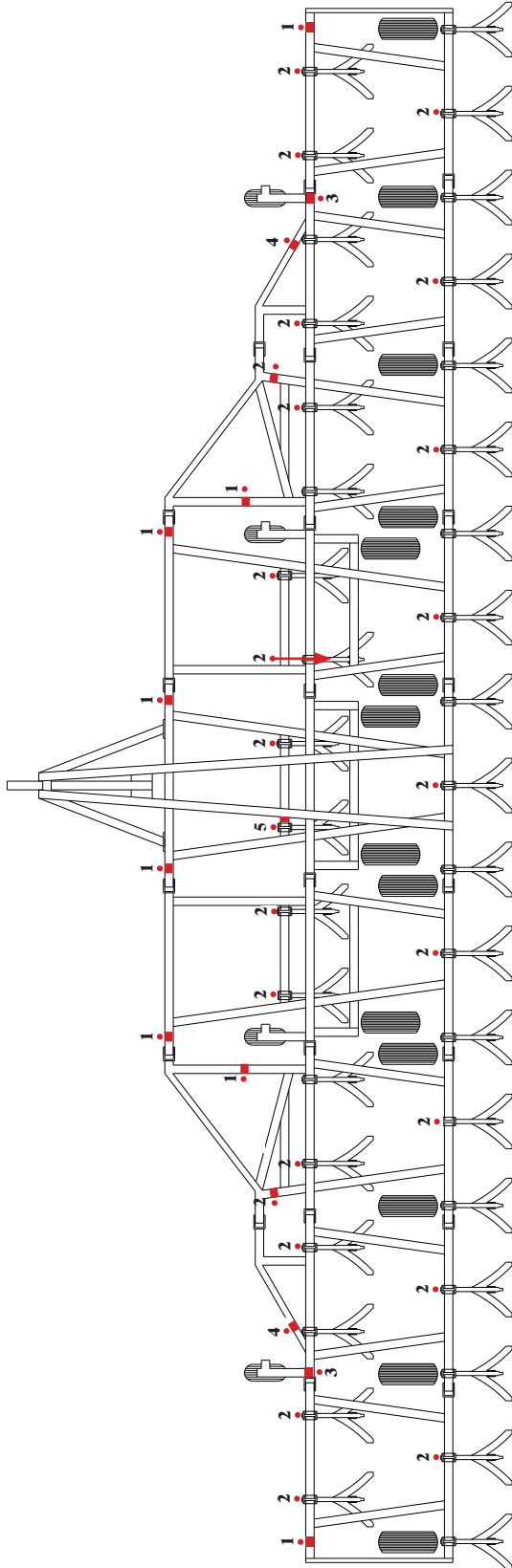
- eight - #1's (straight shanks)
- sixteen - #2's (straight shanks)
- two - #3's (offset shanks)
- two - #4's (straight shanks)
- one - #5 (offset shank)

1 = SHANK MOUNT STYLE

● = COULTER POSITION

■ = MOUNT POSITION

9 section 63 foot Fallow Master Coulters mounting locations:



The 9 section 63 foot Fallow Master Coulters package consists of:

- twenty four - #2's (straight shanks)
 - two - #3's (offset shanks)
 - eight - #1's (straight shanks)
 - two - #4's (straight shanks)
 - one - #5 (offset shank)

- 1** = SHANK MOUNT STYLE
- = COULTER POSITION
- = MOUNT POSITION