



TA TOP AIR **Parts Manual**
By Unweferth

FRONT-FOLD BOOMS
MODELS 80', 90' & 100' HYDRAULIC
FOR TA1200 & TA1600 SPRAYERS

Serial Number B35870200 & Higher

Part No. 412342

Foreward



This symbol identifies important safety messages. When you see it, read the message that follows and be alert to the possibility of personal injury.

Remember, safety instructions stated in this manual are for your protection. Read them carefully and follow them closely when working around or using this machine.

Read and study this manual completely before attempting to operate this implement. Take this manual to the field for handy reference when operating, adjusting, or servicing your machine.

When referenced, “Right-Hand” (RH) and “Left-Hand” (LH) side of the machine are determined by standing behind the machine and facing in the direction of travel.



Product Information

When ordering parts or when requesting further information or assistance, always give the following information:

- Machine name
- Model number
- Serial number

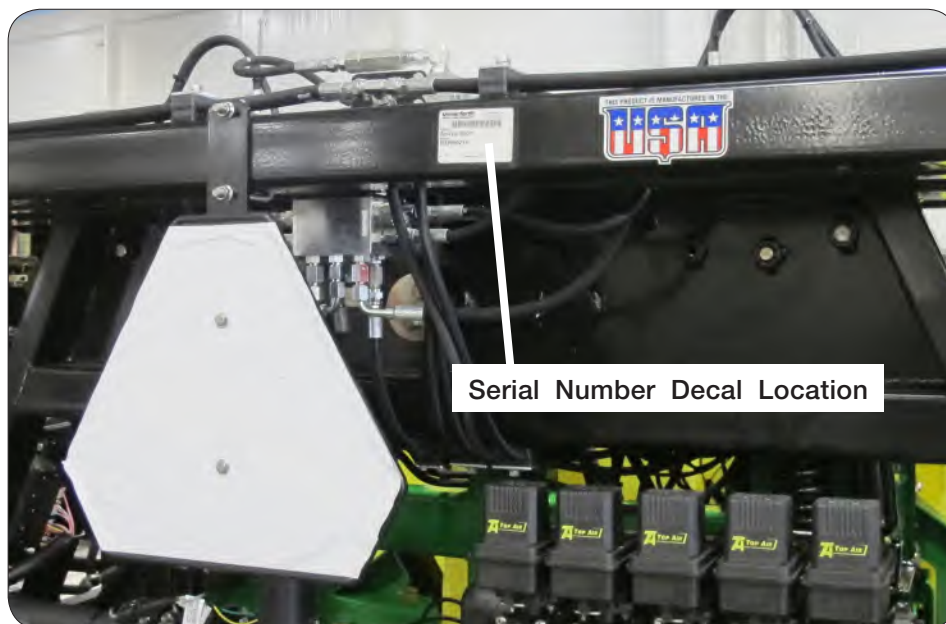
All products manufactured by Unverferth Mfg. Co., Inc. are warranted to be free from material and workmanship defects for one full year from time of consumer delivery. Your local dealer will gladly assist you with any warranty questions.

Please fill out and retain this portion for your records.

Purchase Date _____ Model Number _____ Serial Number _____

Dealer _____ City _____

Dealer Contact _____ Phone _____



IMPORTANT

- *The information, specifications, and illustrations in the manual are based on information available at the time it was written. Due to continuing improvements in the design and manufacture of Unverferth products, all specifications and information contained herein are subject to change without notice.*

Notes

Section I Parts

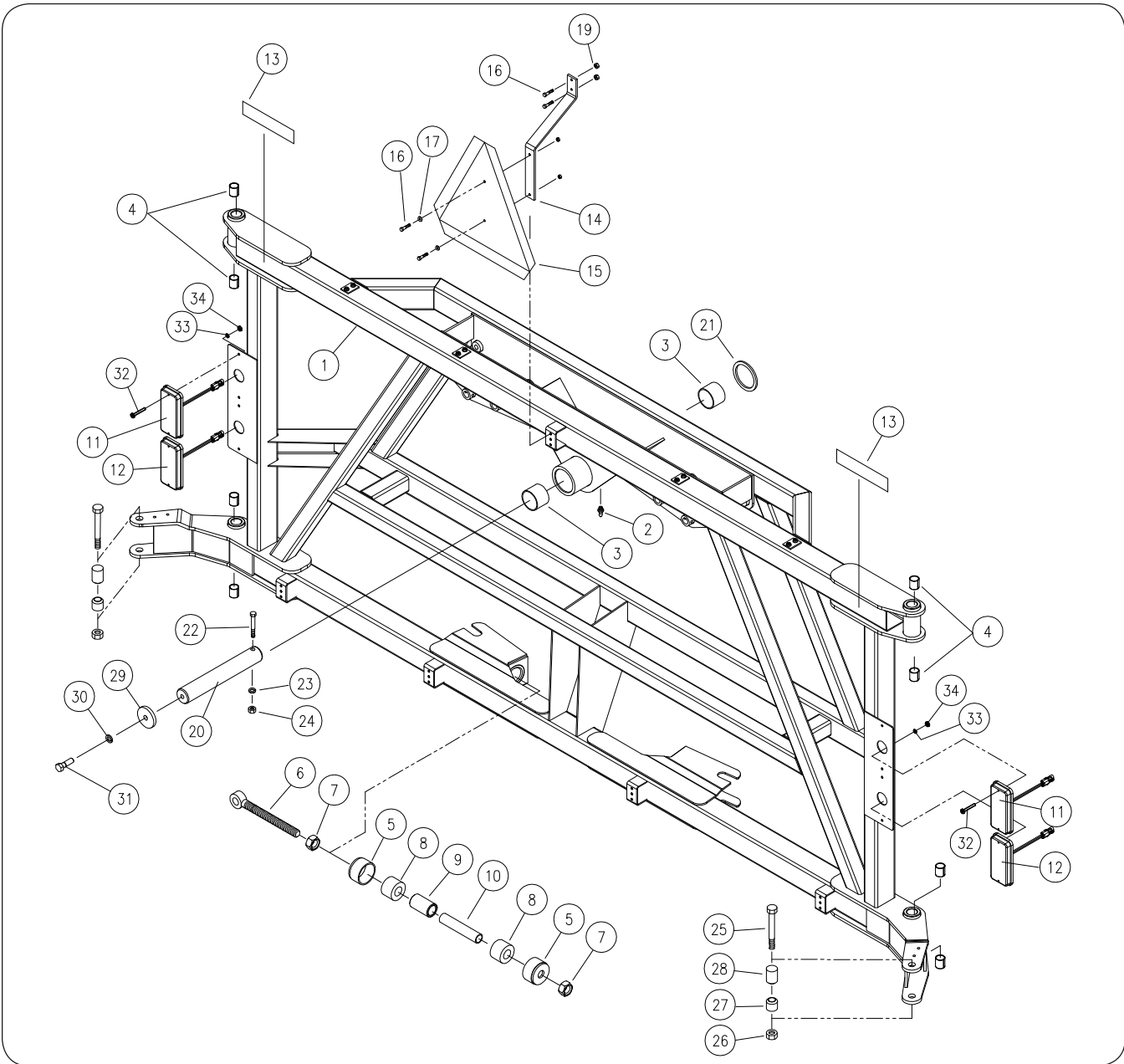
Please visit www.unverferth.com/parts/ for the most current parts listing.

Center Section	1-2
Touch-Up Paint.....	1-2
Twin Link Suspension System.....	1-4
Wing Pivot.....	1-6
Main Wings	1-8
Wing Fold Components.....	1-10
Gull Wing Linkage.....	1-12
Intermediate Wings	1-14
Outer Wing Fold Linkage Components.....	1-16
Outer Wings - 80' / 90' / 100' Booms.....	1-18
Outer Wings - 90' Booms.....	1-19
Outer Wings - 100' Booms.....	1-20
Outer Boom Break-Away Components.....	1-21
80' to 90' Conversion Kits.....	1-22
90' to 100' Conversion Kits.....	1-24
Boom Wheel (Optional)	1-26
Height Control Wheel Components	1-28
Electrical - Lighting	1-30
Electrical - Spray.....	1-32
Strainer.....	1-33
Decals	1-34
Hydraulic Valve Fittings.....	1-36
Hydraulic Cylinders - Tie Rod	1-38
Hydraulic Cylinders - Welded	1-39
Hydraulic System	1-40
Spray Plumbing - 80' 6-Section Boom - 15" Spacing (Models 1200/1600).....	1-42
Spray Plumbing - 80' 6-Section Boom - 20" Spacing (Models 1200/1600).....	1-44
Spray Plumbing - 90' 6-Section Boom - 15" Spacing (Models 1200/1600/2400).....	1-46
Spray Plumbing - 90' 6-Section Boom - 20" Spacing (Models 1200/1600/2400).....	1-48
Spray Plumbing - 90' 10-Section Boom - 15" Spacing (Models 1200/1600/2400).....	1-50
Spray Plumbing - 90' 10-Section Boom - 20" Spacing (Models 1200/1600/2400).....	1-52
Spray Plumbing - 100' 6-Section Boom - 15" Spacing (Models 1200/1600/2400).....	1-54
Spray Plumbing - 100' 6-Section Boom - 20" Spacing (Models 1200/1600/2400).....	1-56
Spray Plumbing - 100' 10-Section Boom - 15" Spacing (Models 1200/1600).....	1-58
Spray Plumbing - 100' 10-Section Boom - 20" Spacing (Models 1200/1600).....	1-60
Hydraulic Schematic.....	1-62
Spray Control System	1-64
Ball Valve Manifold - Model 450 FLO-BAK™ Valve.....	1-67
FLO-BAK™ Ball Valve Manifold - Model 450.....	1-68
Electric Fence Row Nozzle Kit (Optional).....	1-70
Foam Marker Components (Optional)	1-72
Foam Marker Assembly (Optional).....	1-74
Double Drop Foam Marker Components	1-76

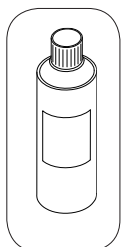
Front-Fold Booms 80' / 90' / 100' — Parts

Center Section

Please visit www.unverferth.com/parts/ for the most current parts listing.



Touch-Up Paint



PAINT	SPRAY
Black	97013
Green	97015
Red	97301
Primer, Gray	9500082

Front-Fold Booms 80' / 90' / 100' — Parts

Center Section

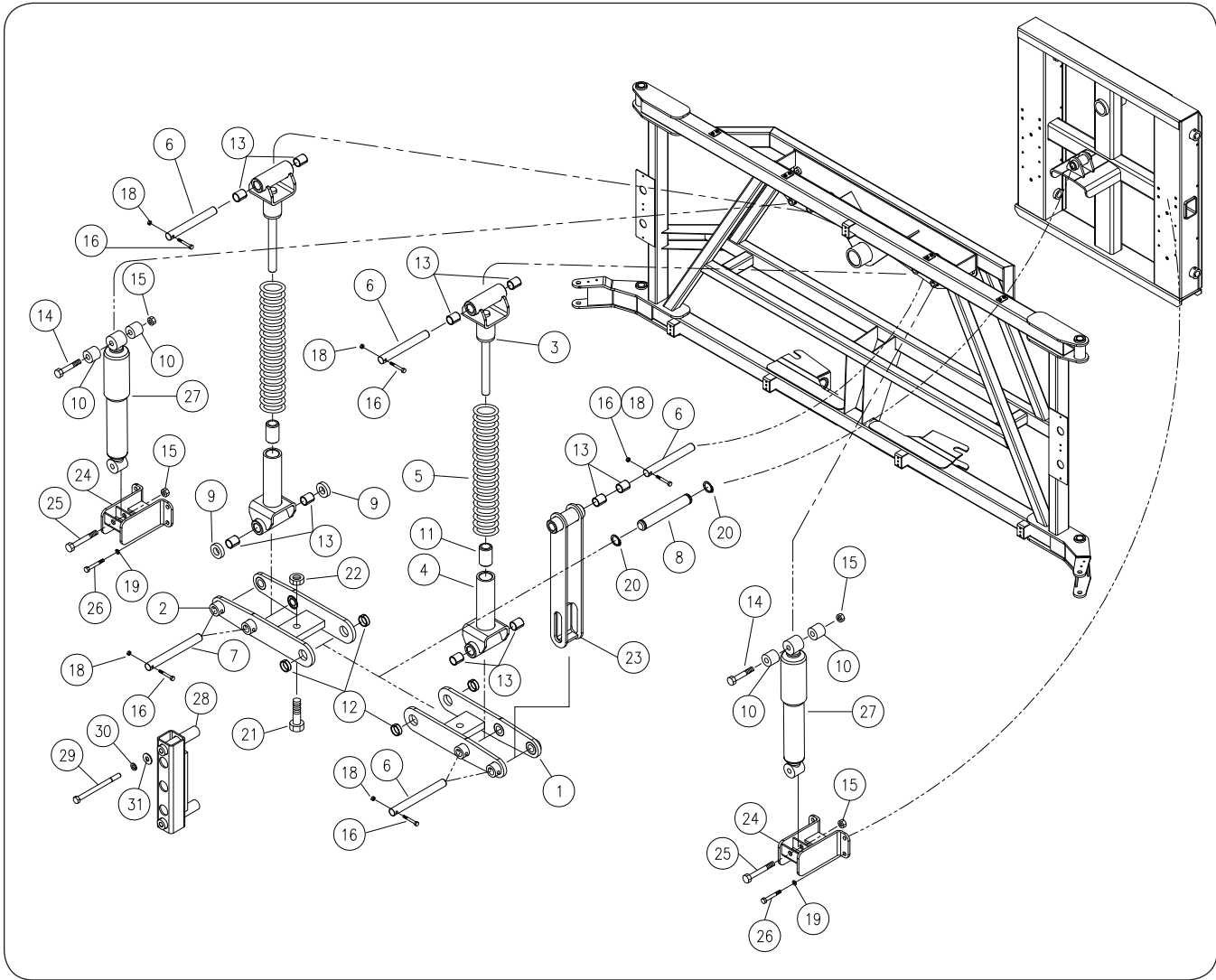
Please visit www.unverferth.com/parts/ for the most current parts listing.

ITEM	DESCRIPTION	PART NO.	QTY.	NOTES
1	Center Section Weldment Kit	405201	1	Includes Items 3 & 4
2	Grease Zerk	91160	1	
3	Self-Lubricating Bearing	9003749	2	
4	Self-Lubricating Bearing	9003440	8	
5	Canister Weldment	401280B	4	
6	Adjustment Eye Weldment	401072	2	
7	Jam Nut 1-8UNC (Stainless Steel)	900911-020	4	
8	Urethane Spring	9003775	4	
9	Wear Bushing	401279	2	
10	Spring Sleeve Bushing	401272	2	
11	LED Light, Amber	9006281	2	
12	LED Light, Red	9006282	2	
13	Reflector, Red	9003126	2	
14	SMV Bracket	409304B	1	
15	SMV Emblem	TA510514	1	
16	Capscrew 1/4"-20UNC x 1 (Stainless Steel)	900900-005	4	
17	Flat Washer 1/4 (Stainless Steel)	900902-032	2	
19	Hex Nut 1/4"-20UNC (Stainless Steel)	9004720	4	
20	Boom Pivot Pin 2 1/2" Dia.	408153	1	
21	Flat Washer (Hardened)	9003100	1	
22	Capscrew 5/8"-11UNC x 4 1/2	9390-133	1	
23	Lock Washer, 5/8	9404-029	1	
24	Hex Nut 5/8"-11UNC	9394-014	1	
25	Capscrew 3/4"-10UNC x 5 1/2	9390-156	2	
26	Locknut 3/4"-10UNC	9003399	2	
27	Spacer Bushing	407269	2	
28	Spacer Bushing	407270	2	
29	Retaining Washer	408154	1	
30	Lock Washer, 1/2	9404-025	2	
31	Capscrew 1/2 x 1 1/2 UNC, Grade 5	9390-101	2	
32	Pan Head Machine Screw, #10-32UNF x 1 1/4	903172-350	2	
33	Lock Washer, #10	9404-013	2	
34	Hex Nut, #10-32 Gr.2	9830-16	2	

Front-Fold Booms 80' / 90' / 100' — Parts

Twin Link Suspension System

Please visit www.unverferth.com/parts/ for the most current parts listing.



Front-Fold Booms 80' / 90' / 100' — Parts

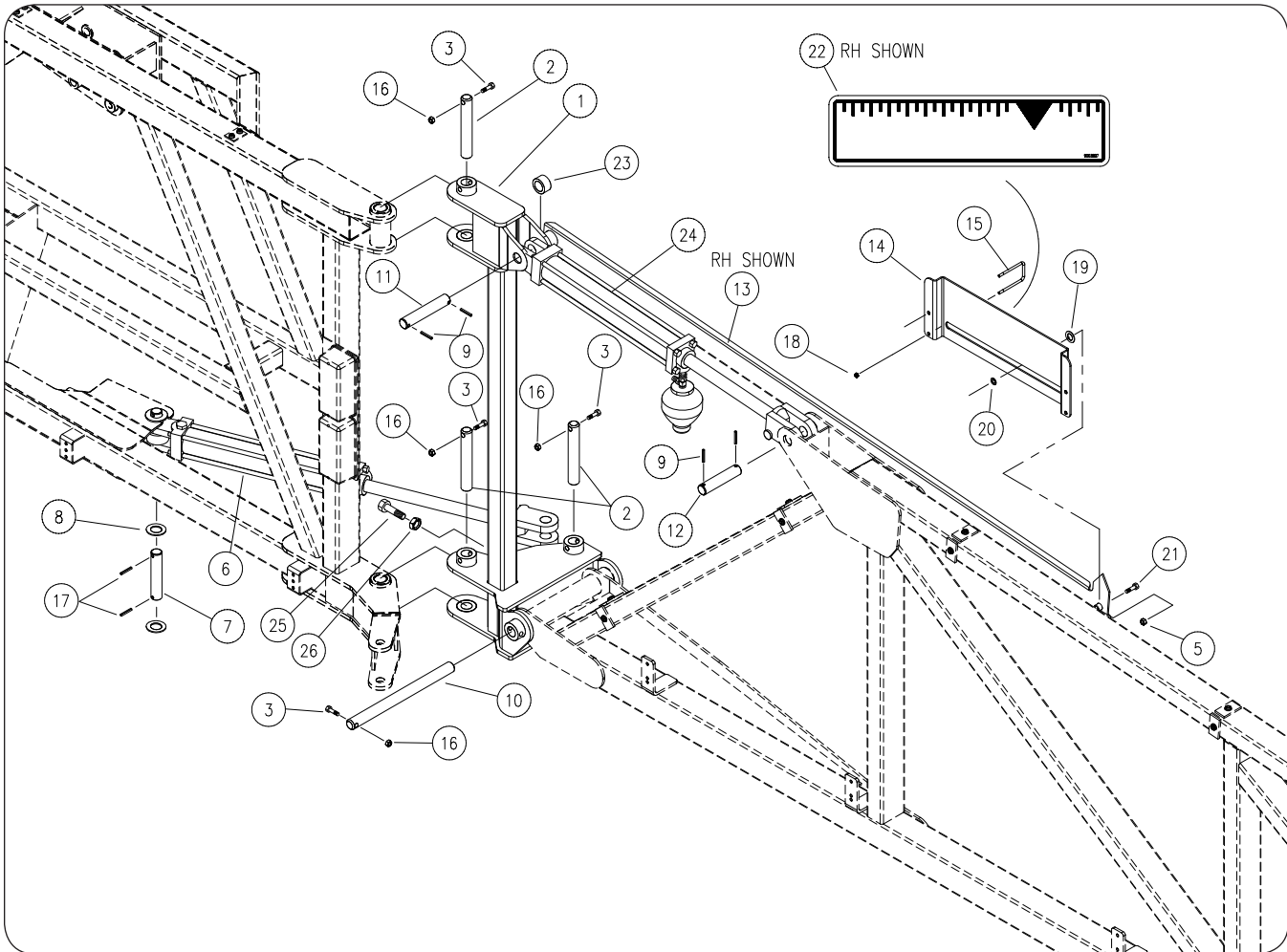
Twin Link Suspension System

Please visit www.unverferth.com/parts/ for the most current parts listing.

ITEM	DESCRIPTION	PART NO.	QTY.	NOTES
1	RH Link Arm Weldment	405346B	1	
2	LH Link Arm Weldment	405347B	1	
3	Spring Guide Weldment - Inner	404339B	2	
4	Spring Guide Weldment - Outer	404344B	2	
5	Spring	9004371B	2	
6	Pin, Spring	401095	6	
7	Pin, Spring	401096	2	
8	Pin, Spring Link	400537	1	
9	Bushing, Spacer	401091	2	
10	Bushing, Spacer	401092	4	
11	Bushing, Wear	401381	2	
12	Self-Lubricating Bushing	9003751	4	
13	Self-Lubricating Bushing	9003752	12	
14	Capscrew, 1/2"-13UNC x 6 1/2	900900-116	2	Stainless Steel
15	Locknut, 1/2"-13UNC	900906-010	4	Stainless Steel
16	Capscrew, 1/4"-20UNC x 1 1/2	900900-007	8	Stainless Steel
18	Locknut, 1/4"-20UNC	900906-002	8	Stainless Steel
19	Lock Washer, 3/8	900903-021	8	Stainless Steel
20	Snap Ring, 1"	91192	2	
21	Capscrew, 3/4"-10UNC x 2 1/2	900900-147	2	Stainless Steel
22	Jam Nut, 3/4"-10UNC	900911-016	2	Stainless Steel
23	Stop Link	405343B	2	
24	Shock Bracket	403215B	2	
25	Capscrew, 1/2"-13UNC x 2 1/2	900900-105	2	Stainless Steel
26	Capscrew, 3/8-16UNC x 1 1/4	900900-056	8	Stainless Steel
27	Shock Absorber	9004219	2	
28	Clamp Assembly	404615	2	
29	Capscrew, 1/2"-13UNC x 7 Grade 5	9390-117	4	
30	Lock Washer, 1/2"	9404-025	4	
31	Flat Washer, 1/2	900902-044	4	Stainless Steel

Wing Pivot

Please visit www.unverferth.com/parts/ for the most current parts listing.



Front-Fold Booms 80' / 90' / 100' — Parts

Wing Pivot

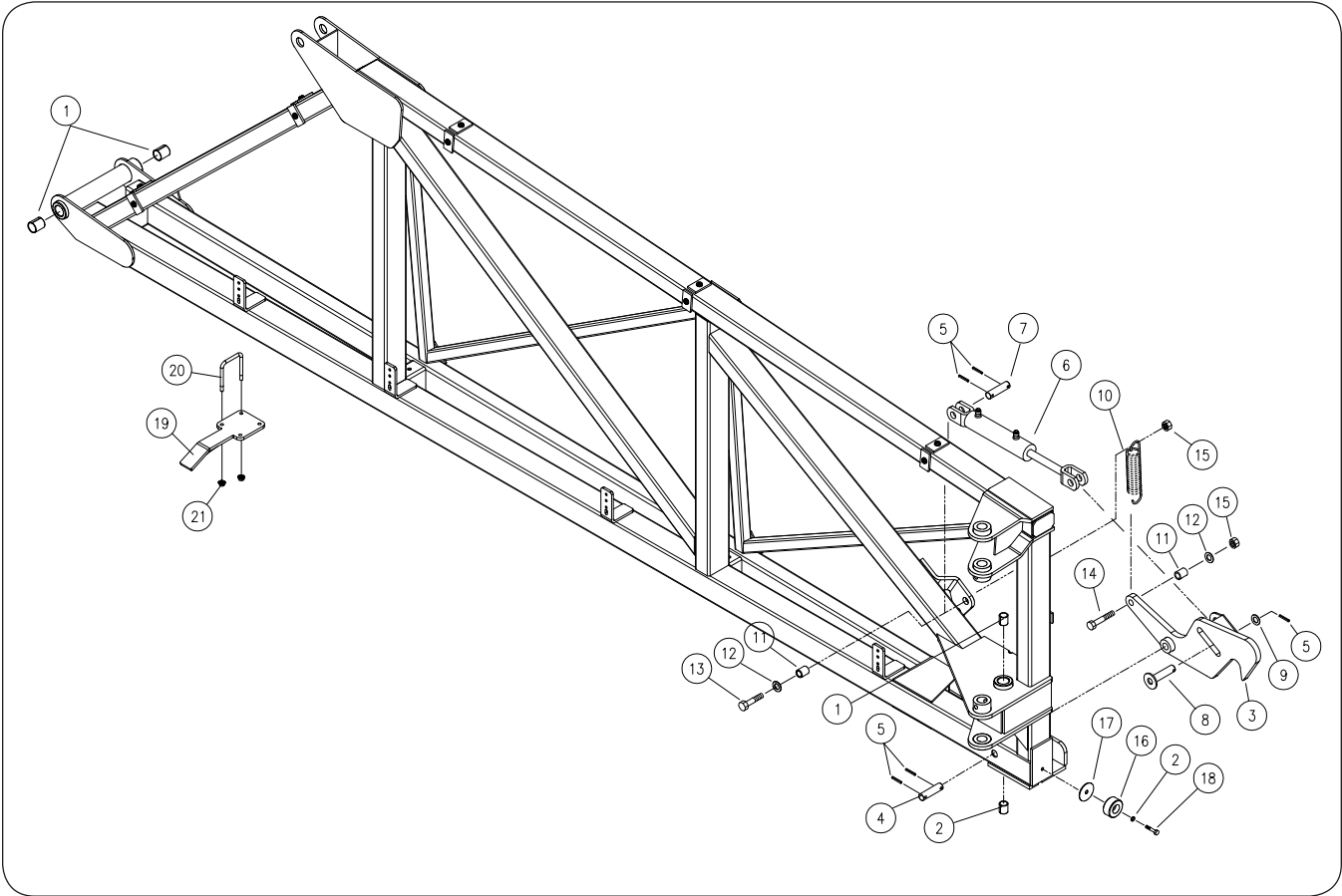
Please visit www.unverferth.com/parts/ for the most current parts listing.

ITEM	PART NO.	DESCRIPTION	NOTES	QTY.
1	402795B	RH Wing Pivot Weldment		1
	402796B	LH Wing Pivot Weldment		1
2	400540	Pin, Hinge 1" Dia. x 6 9/16		6
3	900900-060	Capscrew 3/8-16UNC x 2 1/4	Stainless Steel	8
5	9005640	Flange Hex Nut 3/8-16UNC	Stainless Steel	2
6	9003959	Hydraulic Cylinder 2 x 14		2
7	401765	Pin, Cylinder 1" Dia. x 5 1/16		2
8	900902-058	Flat Washer 1"	Stainless Steel	4
9	900910-164	Coiled Spring Pin, 1 1/4" Dia. x 1 3/4"	Stainless Steel	8
10	401372	Pin, Tilt 1" Dia. x 13		2
11	401371	Pin, Cylinder 1" Dia. x 5 19/32		2
12	807450	Pin, Cylinder 1" Dia. x 4 5/8		2
13	402360B	RH Needle Weldment		1
	402361B	LH Needle Weldment		1
14	401329B	Plate, Level Indicator		2
15	9004683	U-Bolt 1/4"-20UNC	Stainless Steel	4
16	900906-006	Locknut 3/8-16UNC	Stainless Steel	8
17	900910-166	Coiled Spring Pin 1/4" Dia. x 2"	Stainless Steel	4
18	9004720	Flange Nut 1/4"-20UNC	Stainless Steel	8
19	900902-049	Flat Washer 5/8	Stainless Steel	2
20	900902-038	Flat Washer 3/8	Stainless Steel	2
21	900900-057	Capscrew 3/8-16UNC x 1 1/2	Stainless Steel	2
22	9003807	Indicator Decal	Used on RH Side	1
	9003808	Indicator Decal	Used on LH Side	1
23	402403	Spacer Bushing		2
24	9002123	Hydraulic Cylinder 2 1/2 x 14	Stainless Steel	2
25	900900-146	Capscrew 3/4"-10UNC x 2 1/4	Stainless Steel	2
26	900911-016	Jam Nut 3/4"-10UNC	Stainless Steel	2

Front-Fold Booms 80' / 90' / 100' — Parts

Main Wings

Please visit www.unverferth.com/parts/ for the most current parts listing.



Front-Fold Booms 80' / 90' / 100' — Parts

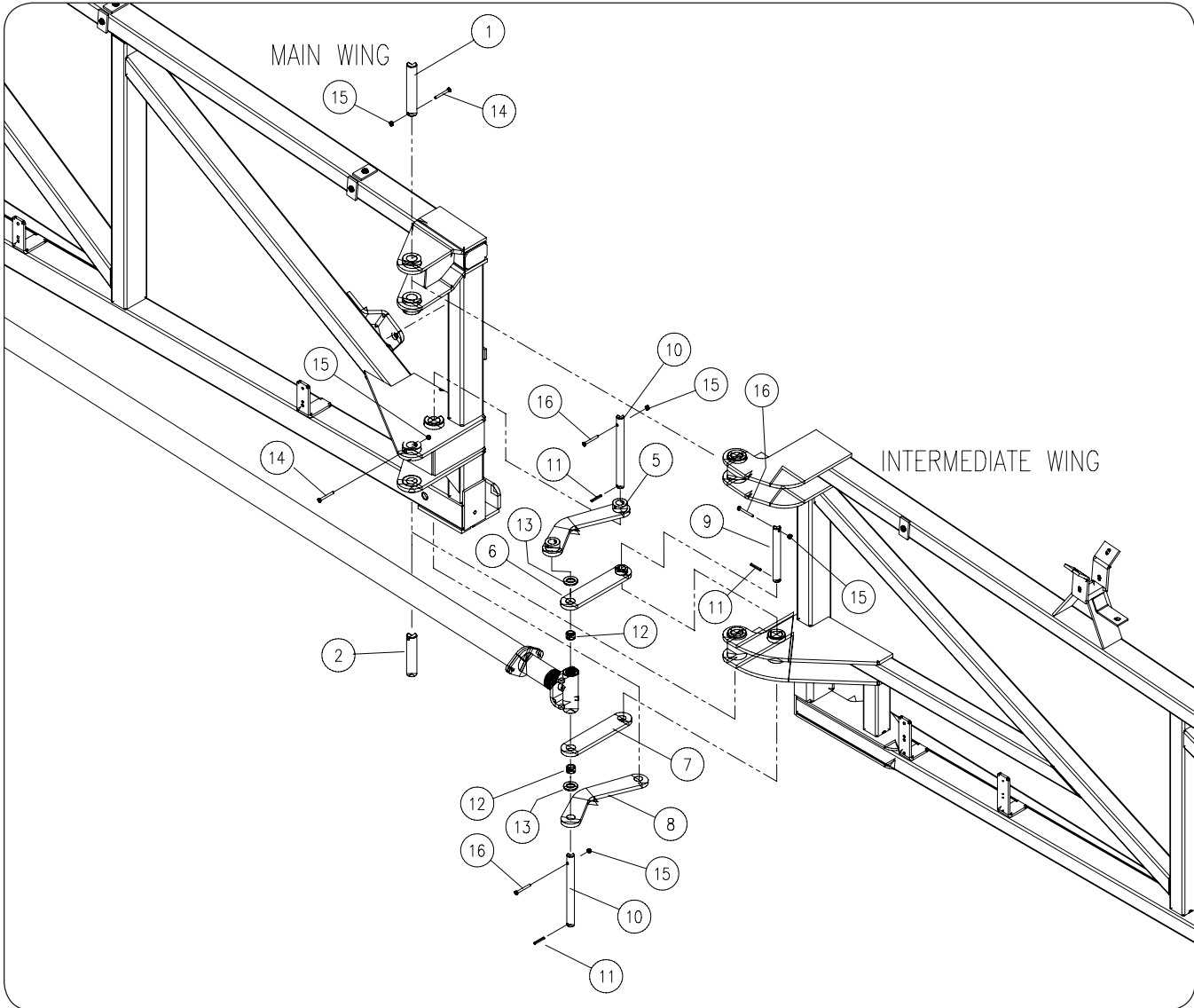
Main Wings

Please visit www.unverferth.com/parts/ for the most current parts listing.

ITEM	PART NO.	DESCRIPTION	NOTES	QTY.
	408588	RH Main Wing Replacement Kit (Shown)		1
	408589	LH Main Wing Replacement Kit		
1	9003440	Bushing, Self-Lubricating		8
2	900903-021	Lock Washer, 3/8	Stainless Steel	2
3	401373B	RH Latch Weldment		1
	401374B	LH Latch Weldment		1
4	405161	Pin, 3/4 x 6-9/16		2
5	900910-164	Coiled Spring Pin, 1/4 x 1 3/4	Stainless Steel	10
6	9003789	Hydraulic Cylinder, 1 1/2 x 4	Refer to Hydraulic Cylinders - Welded	2
7	401378	Pin, Cylinder		2
8	401379	Pin Weldment, Cylinder		2
9	900902-053	Flat Washer, 3/4	Stainless Steel	2
10	TA510027	Spring		2
11	805446B	Spacer Bushing		4
12	900902-049	Flat Washer, 5/8	Stainless Steel	4
13	900900-125	Capscrew, 5/8"-11UNC x 2 1/4	Stainless Steel	2
14	900900-126	Capscrew, 5/8"-11UNC x 2 1/2	Stainless Steel	2
15	900908-014	Locknut, 5/8"-11UNC	Stainless Steel	4
16	405123	Rod Stop		2
17	401736	Shim, Stop		A/R
18	900900-056	Capscrew, 3/8-16UNC x 1 1/4	Stainless Steel	2
19	408545B	Wing Support Weldment =Black=		2
20	9004679	U-Bolt, 3/8-16	Stainless Steel	4
21	9005640	Flange Nut, 3/8-16	Stainless Steel	8

Wing Fold Components

Please visit www.unverferth.com/parts/ for the most current parts listing.



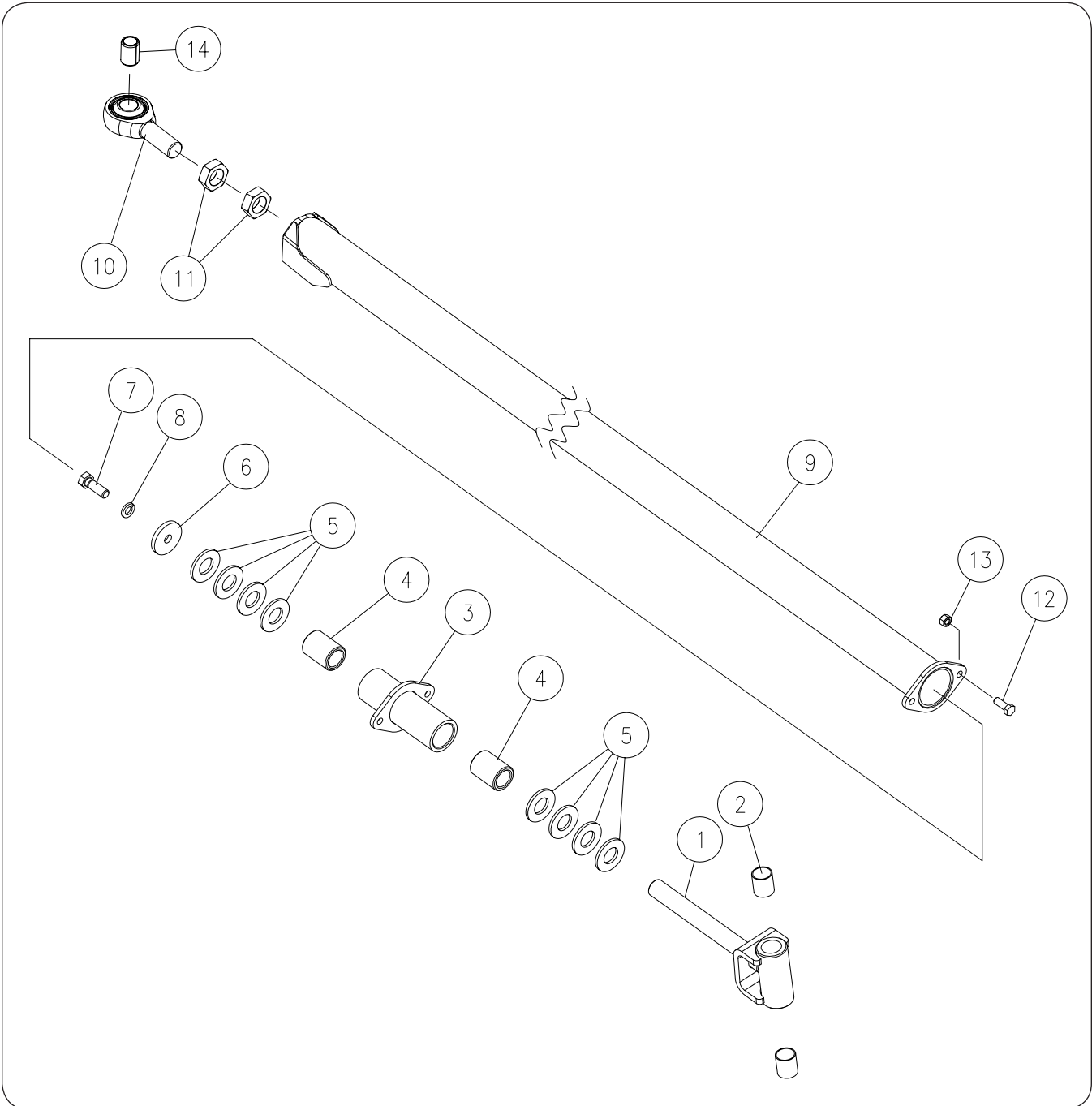
Wing Fold Components

Please visit www.unverferth.com/parts/ for the most current parts listing.

ITEM	PART NO.	DESCRIPTION	NOTES	QTY.
1	408451	Pin, Hinge		2
2	408452	Pin, Hinge		2
5	408455B	RH Fold Link Weldment		1
	408456B	LH Fold Link Weldment		1
6	408457B	Fold Link Weldment		2
7	404714B	Plate Fold Link		2
8	404711B	Fold Link Weldment		2
9	408453	Pin, Linkage		2
10	408454	Pin, Linkage		4
11	900910-164	Coiled Spring Pin, 1/4 x 1 3/4	Stainless Steel	6
12	9003958	Bushing, Self-Lubricating		4
13	900902-058	Flat Washer, 1"		4
14	900900-060	Capscrew, 3/8 x 2 1/4 UNC 18-8	Stainless Steel	4
15	900906-006	Locknut, 3/8 UNC	Stainless Steel	10
16	900900-059	Capscrew, 3/8-16UNC x 2	Stainless Steel	6

Gull Wing Linkage

Please visit www.unverferth.com/parts/ for the most current parts listing.



Front-Fold Booms 80' / 90' / 100' — Parts

Gull Wing Linkage

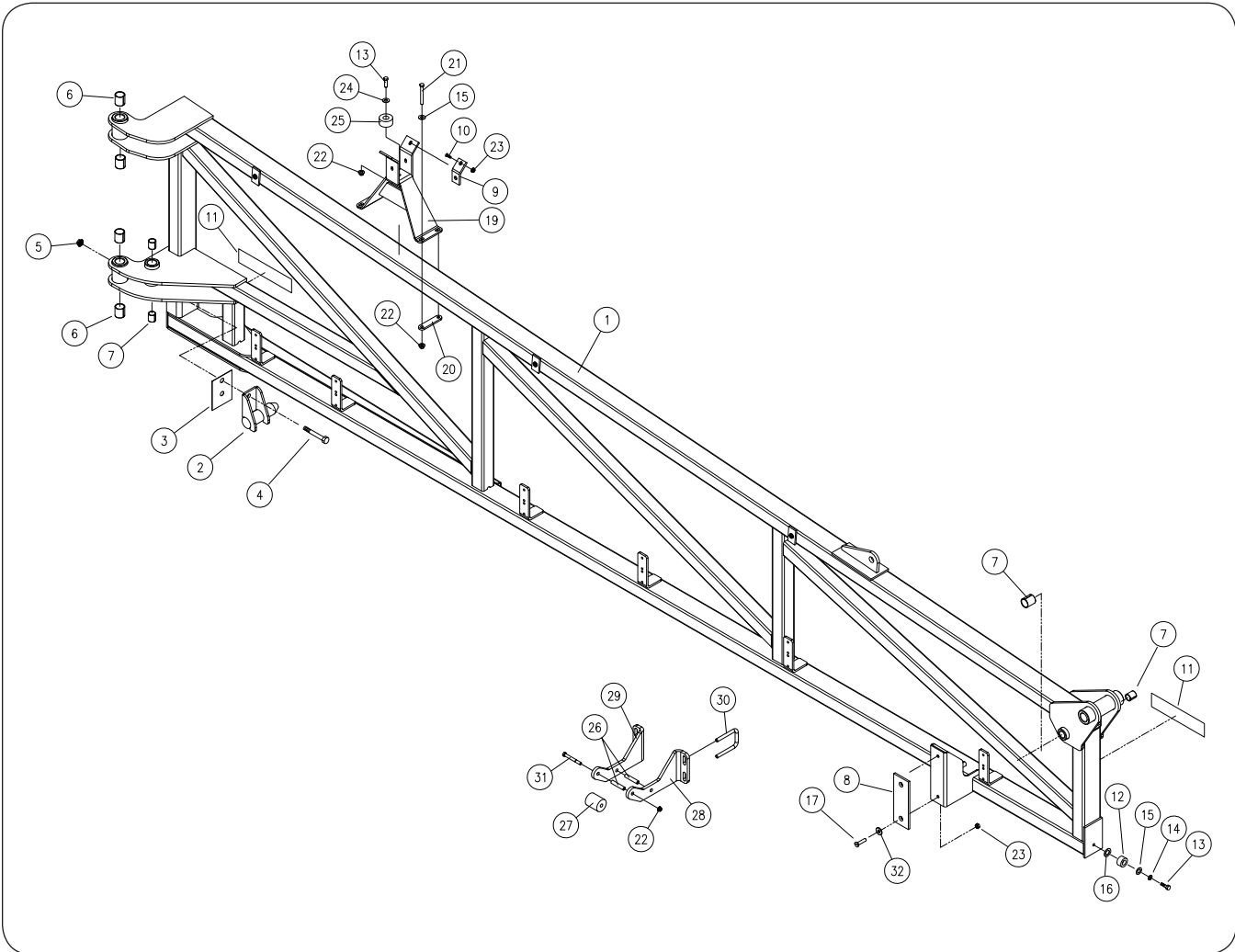
Please visit www.unverferth.com/parts/ for the most current parts listing.

ITEM	DESCRIPTION	PART NO.	QTY.	NOTES
1	Link End Weldment	404716B	2	
2	Self-Lubricating Bushing	9003440	4	
3	Spring Guide Weldment	407273B	2	
4	Bushing, Wear	401381	4	
5	Belleville Spring	9003787	24	
6	Washer, Spring	401307	2	
7	Capscrew, 1/2-12UNC x 1 1/2	9390-101	2	
8	Lock Washer, 1/2	9404-025	2	
9	Gull Wing Link Weldment	407271B	2	
10	Rod End, 1"	9005416	2	
11	Hex Jam Nut, 1-14UNS Grade 5	9395-019	4	
12	Capscrew, 3/8-16UNC x 1	900900-055	4	Stainless Steel
13	Locknut, 3/8-16UNC	900906-006	4	Stainless Steel
14	Split Tension Bushing	9005417	2	

Front-Fold Booms 80' / 90' / 100' — Parts

Intermediate Wings

Please visit www.unverferth.com/parts/ for the most current parts listing.



Front-Fold Booms 80' / 90' / 100' — Parts

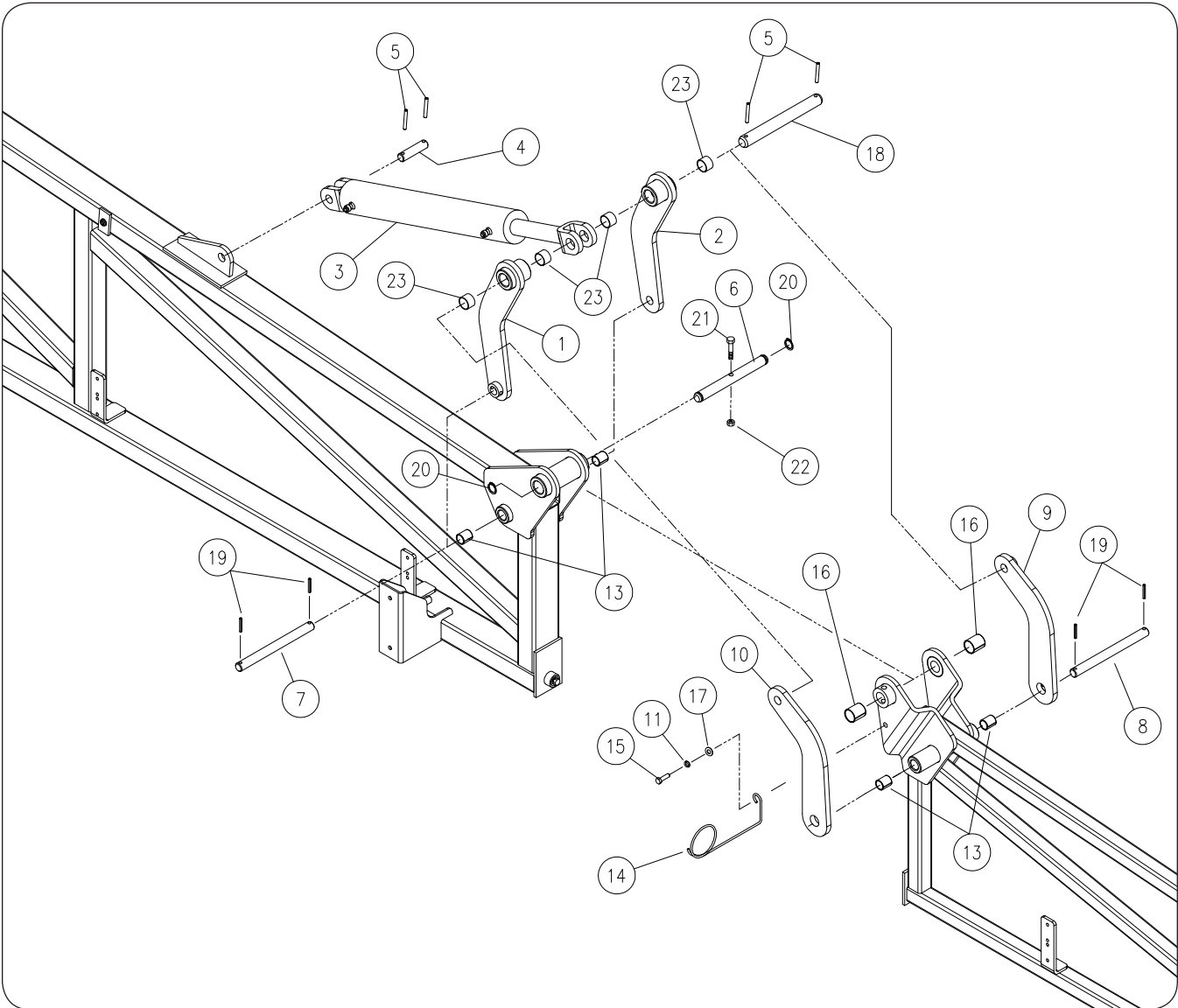
Intermediate Wings

Please visit www.unverferth.com/parts/ for the most current parts listing.

ITEM	DESCRIPTION	PART NO.	QTY.	NOTES
1	RH Intermediate Wing Replacement	405817	1	Includes Items 6 through 10
	LH Intermediate Wing Replacement	405818	1	Includes Items 6 through 10
2	RH Latch Rod Weldment	401726B	1	
	LH Latch Rod Weldment	401727B	1	
3	Shim Plate	401730	2	Use as Required
4	Capscrew, 1/2"-13UNC x 3 3/4	900900-110	4	Stainless Steel
5	Serrated Flange Nut, 1/2"-13UNC	9005691	4	Stainless Steel
6	Bushing, Self-Lubricating	9003440	8	1.13 OD x 1.005 ID x 1 1/4
7	Bushing, Self-Lubricating	9003752	8	.882 OD x .758 ID x 1
8	Pad, Stop	402728	2	
9	Pad, Wing Rest	403580	4	
10	Flat Head Screw, 5/16"-18UNC x 1	900907-640	8	Stainless Steel
11	Reflector, Amber	9003127	4	
12	Rubber Bumper, 2 1/2" Dia. x 1"	9004389	2	
13	Capscrew, 3/8-16UNC x 1 1/4	900900-056	4	
14	Lock Washer, 3/8	900903-021	2	
15	Flat Washer, 3/8	900902-038	10	
16	Fender Washer, 2 1/2D x 3/8D x .060	9004497	A/R	
17	Capscrew, 5/16"-18UNC x 1	900900-030	4	Stainless Steel
19	Wing Rest Weldment =Black=	407663B	2	
20	Bolt Plate =Black=	406106B	4	
21	Capscrew, 3/8-16UNC x 3 1/4	900900-064	8	Stainless Steel
22	Flange Nut, 3/8-16	9005640	22	Stainless Steel
23	Flange Nut, 5/16-18	9005639	12	Stainless Steel
24	Flat Washer, 3/8	900902-037	2	Stainless Steel
25	Rubber Bumper, 2 Dia. x 1	9003806	2	
26	Bushing, Spacer	408543	4	
27	Poly Bushing	408544	2	
28	Wing Support Bracket =Black=	408560B	2	
29	Wing Support Bracket =Black=	408561B	2	
30	U-Bolt, 3/8-16UNC	9004684	4	Stainless Steel
31	Capscrew, 3/8-16UNC x 3 3/4	900900-066	4	Stainless Steel
32	Flat Washer, 5/16	900902-035	4	Stainless Steel

Outer Wing Fold Linkage Components

Please visit www.unverferth.com/parts/ for the most current parts listing.



Front-Fold Booms 80' / 90' / 100' — Parts

Outer Wing Fold Linkage Components

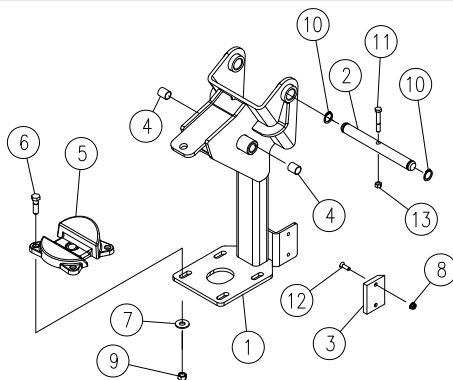
Please visit www.unverferth.com/parts/ for the most current parts listing.

ITEM	PART NO.	DESCRIPTION	NOTES	QTY.
1	407667B	RH Fold Link Weldment		2
2	407669B	LH Fold Link Weldment		2
3	9004619	Hydraulic Cylinder - 2 1/2 x 16	Refer to Hydraulic Cylinders - Welded	2
4	403573	Pin, Cylinder		2
5	900910-164	Coiled Spring Pin, 1/4 x 1 3/4	Stainless Steel	8
6	405259	Pin, Hinge 1 Dia. x 9 3/4		2
7	405150	Pin, Linkage 3/4 Dia. x 6 11/16		2
8	405151	Pin, Linkage 3/4 Dia. x 8 3/4		2
9	407651B	Fold Link Weldment		2
10	407652B	Plate, Fold Link		2
11	900903-021	Lock Washer, 3/8	Stainless Steel	2
13	9003752	Bushing, Self-Lubricating		8
14	9005689	Hose Holder		2
15	900900-055	Capscrew, 3/8-16UNC x 1	Stainless Steel	2
16	9003440	Bushing, Self-Lubricating		4
17	9006212	Flat Washer, 3/8	Stainless Steel	2
18	407671	Pin, 1 Dia. x 9 1/8		2
19	900910-162	Coiled Spring Pin, 1/4 x 1 1/2	Stainless Steel	8
20	91192	Retaining Ring, 1		4
21	900900-061	Capscrew, 3/8-16UNC x 2 1/2	Stainless Steel	2
22	900906-006	Locknut, 3/8-16UNC	Stainless Steel	2
23	9004397	Bushing, Self-Lubricating 1.131 OD		8

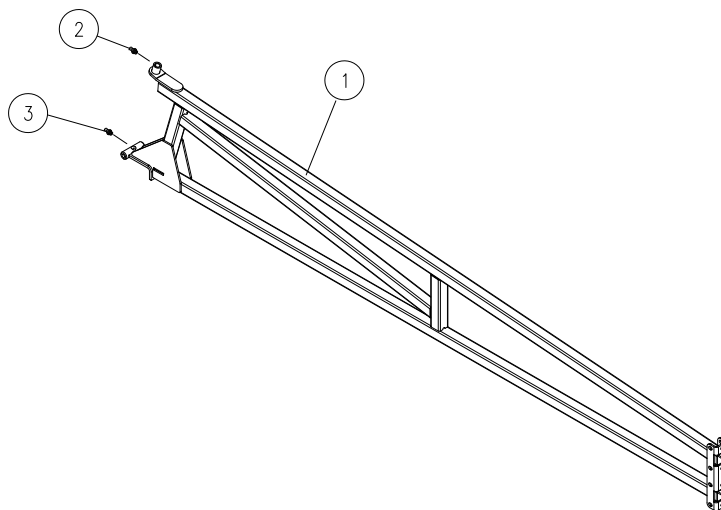
Front-Fold Booms 80' / 90' / 100' — Parts

Outer Wings - 80' / 90' / 100' Booms

Please visit www.unverferth.com/parts/ for the most current parts listing.



ITEM	DESCRIPTION	PART NO.	QTY.	NOTES
1	Outer Wing Pivot	407615B	2	
2	Hinge Pin, 1" Dia. x 9 3/4	405259	2	
3	Wear Pad	405938	4	
4	Bushing, .882 OD x .758 ID x 1	9003752	4	Self-Lubricating
5	Pivot Casting/Boom Breakaway Ramp	404606B	2	
6	Capscrew, 1/2"-13UNC x 1 3/4	900900-102	8	Stainless Steel
7	Flat Washer, 1/2	900902-044	8	Stainless Steel
8	Flange Nut, 5/16"-18UNC	9005639	8	Stainless Steel
9	Locknut, 1/2"-13UNC	900906-010	8	Stainless Steel
10	Retaining Ring, 1"	91192	4	
11	Capscrew, 3/8-16UNC x 2 1/2	900900-061	2	Stainless Steel
12	Flat Head Machine Screw, 5/16"-18UNC x 1	900907-640	8	Stainless Steel
13	Locknut, 3/8-16UNC	900906-006	2	Stainless Steel

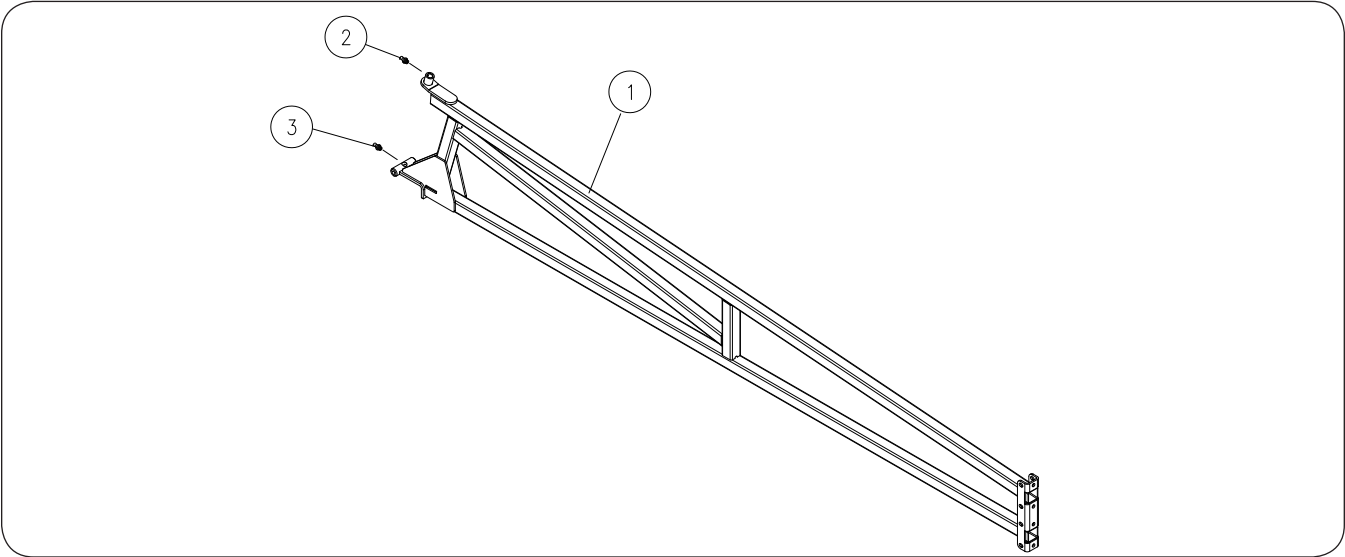


ITEM	DESCRIPTION	PART NO.	QTY.	NOTES
1	Outer Wing Replacement Kit	408769	2	
2	Grease Zerk	91160	2	
3	Grease Zerk, 90°	93415	2	

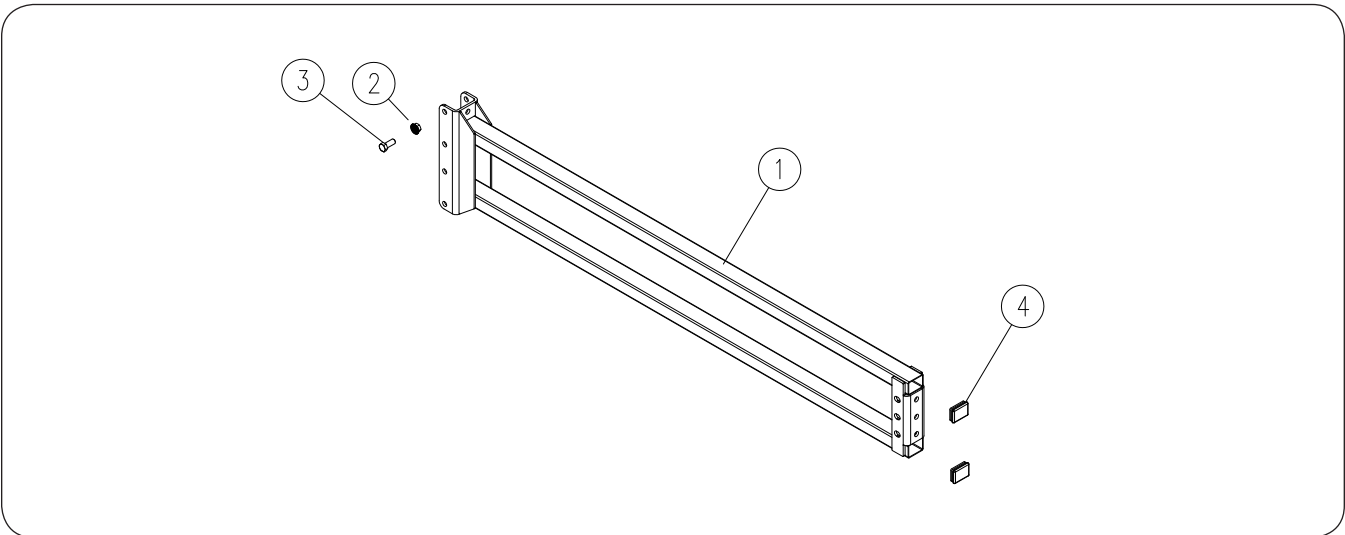
Front-Fold Booms 80' / 90' / 100' — Parts

Outer Wings - 90' Booms

Please visit www.unverferth.com/parts/ for the most current parts listing.



ITEM	DESCRIPTION	PART NO.	QTY.	NOTES
1	Outer Wing Replacement Kit	408769	2	
2	Grease Zerk	91160	2	
3	Grease Zerk, 90°	93415	2	

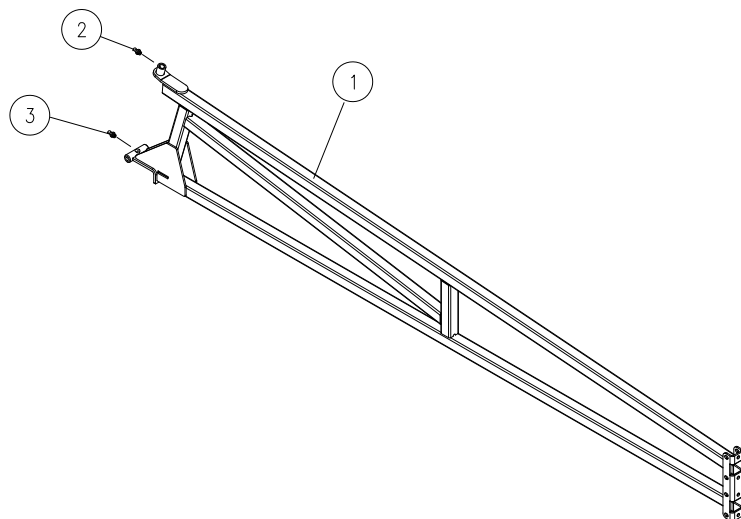


ITEM	DESCRIPTION	PART NO.	QTY.	NOTES
1	Extension Weldment	407639B	2	
2	Serrated Flange nut, 1/2"-13UNC	9005691	24	Stainless Steel
3	Capscrew, 1/2"-13UNC x 1 1/4	900900-100	24	Stainless Steel
4	Plastic Plug	9004570	4	

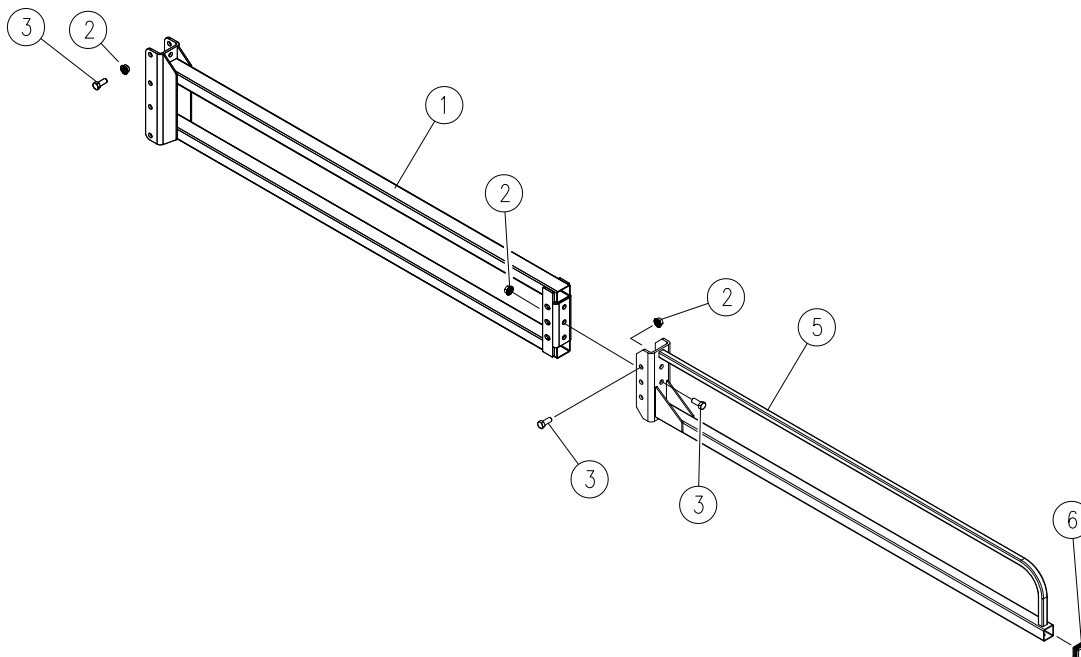
Front-Fold Booms 80' / 90' / 100' — Parts

Outer Wings - 100' Booms

Please visit www.unverferth.com/parts/ for the most current parts listing.



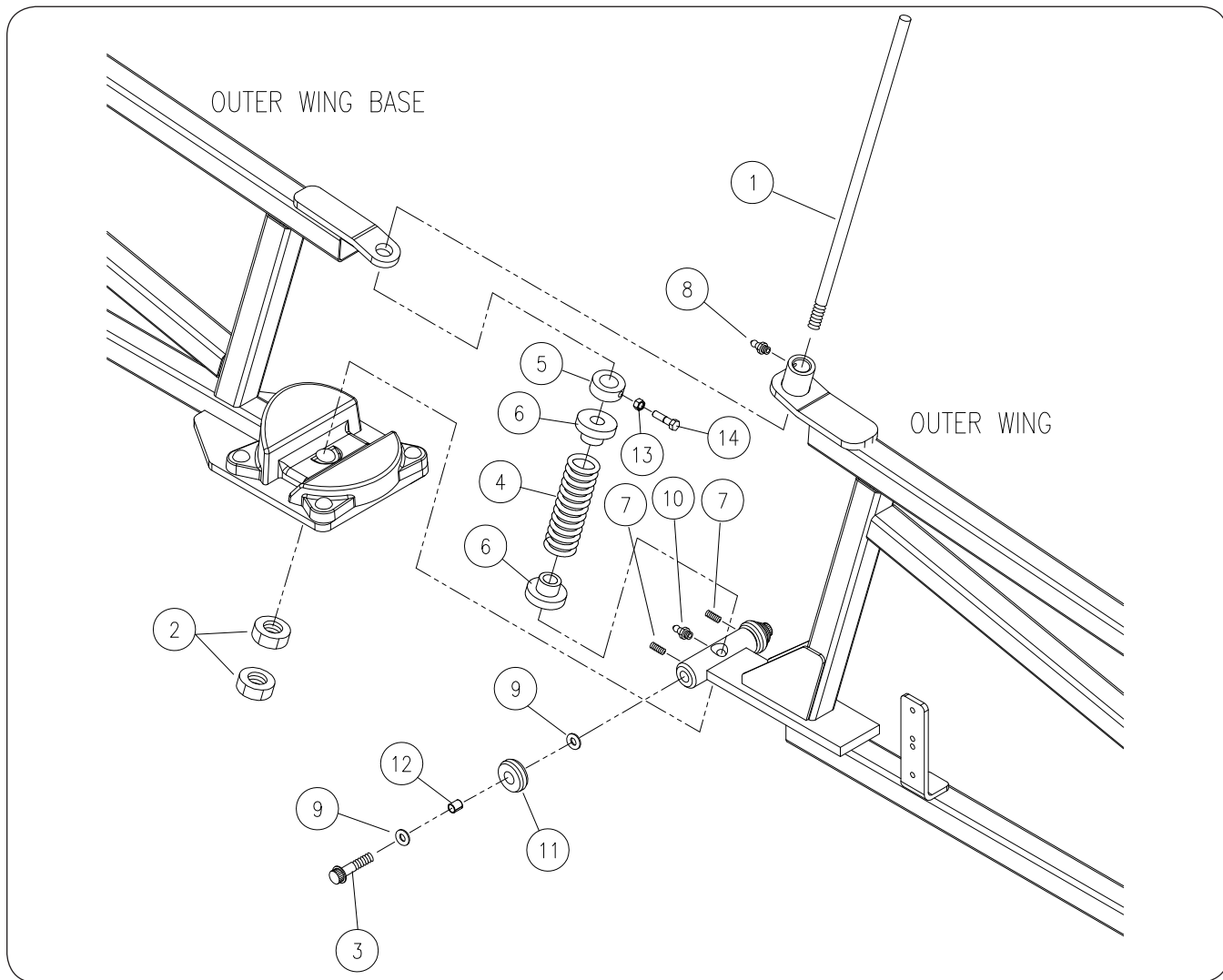
ITEM	DESCRIPTION	PART NO.	QTY.	NOTES
1	Outer Wing Replacement Kit	408769	2	
2	Grease Zerk	91160	2	
3	Grease Zerk, 90°	93415	2	



ITEM	DESCRIPTION	PART NO.	QTY.	NOTES
1	Extension Weldment	407639B	2	
2	Serrated Flange Nut 1/2"-13UNC	9005691	66	Stainless Steel
3	Capscrew, 1/2"-13UNC x 1 1/4	900900-100	66	Stainless Steel
5	Outer Extension Weldment	407646B	2	
6	Plastic Plug (1 1/2 x 1 1/2)	9001645	2	

Outer Boom Break-Away Components

Please visit www.unverferth.com/parts/ for the most current parts listing.

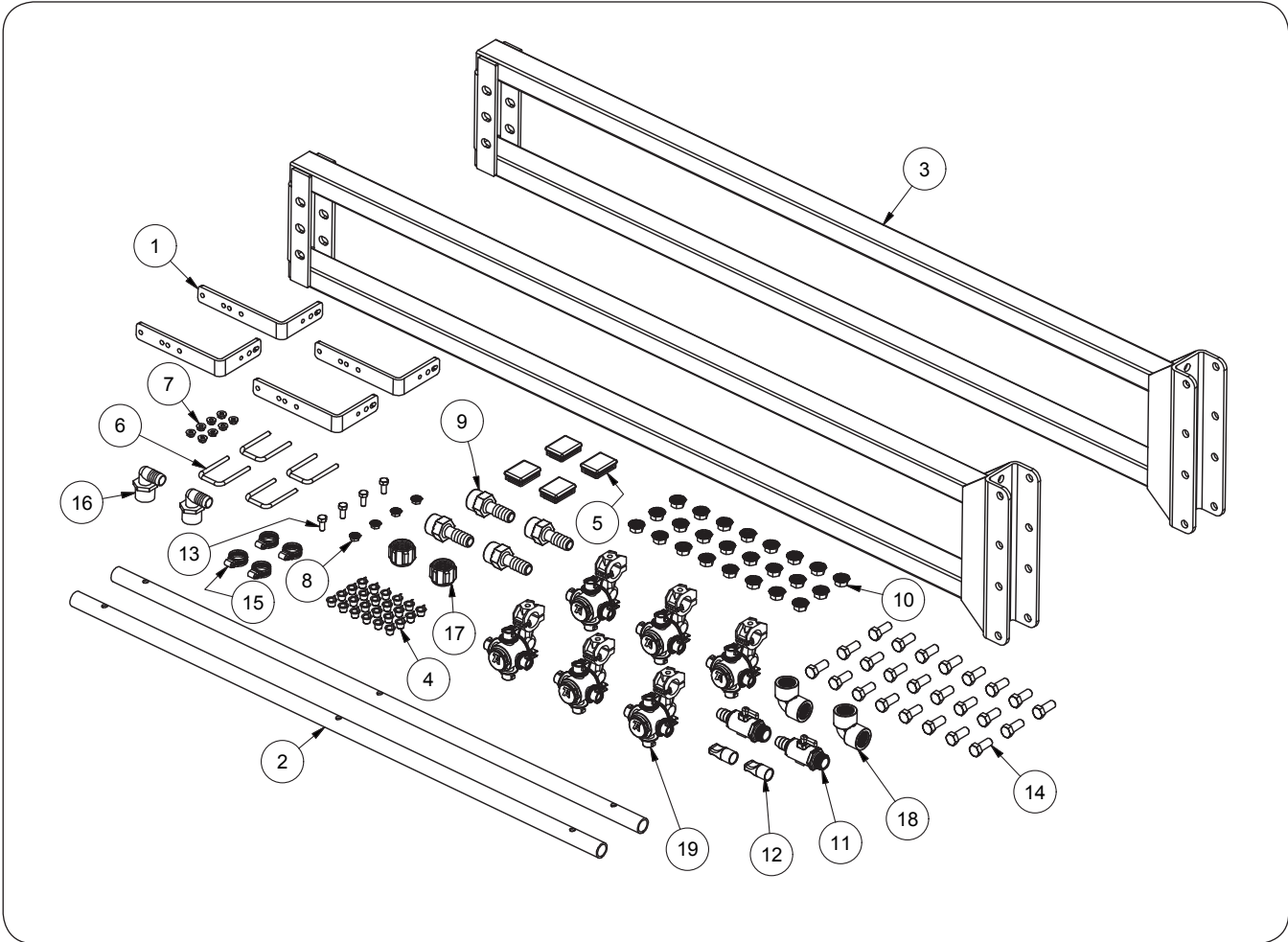


ITEM	DESCRIPTION	PART NO.	QTY.	NOTES
1	Shaft, Break-Away	401725	2	
2	Jam Nut, 3/4"-10UNC Grade 5	9395-016	4	
3	Capscrew, 5/8"-11UNC x 1 3/4 Grade 5	9390-123	4	
4	Compression Spring =Black=	93944B	2	
5	Shaft Collar, 3/4	TA500689	2	
6	Spring Guide Bushing, 2 1/4 Dia. x 1 1/4	407867	4	
7	Setscrew, 1/4"-20UNC x 1/2 Cup Pt.	9399-060	4	
8	Grease Zerk	91160	2	
9	Flat Washer, 5/8	900902-049	8	Stainless Steel
10	Grease Zerk, 90°	93415	2	
11	Roller	406287	4	
12	Roller Bushing, 7/8 OD x 9/16 ID x 13/16	406288	4	
13	Hex Nut, 5/16"-18UNC	900901-004	2	Stainless Steel
14	Capscrew, 5/16"-18UNC x 3/4	9390-028	2	

Front-Fold Booms 80' / 90' / 100' — Parts

80' To 90' Conversion Kits

Please visit www.unverferth.com/parts/ for the most current parts listing.



Front-Fold Booms 80' / 90' / 100' — Parts

80' To 90' Conversion Kits

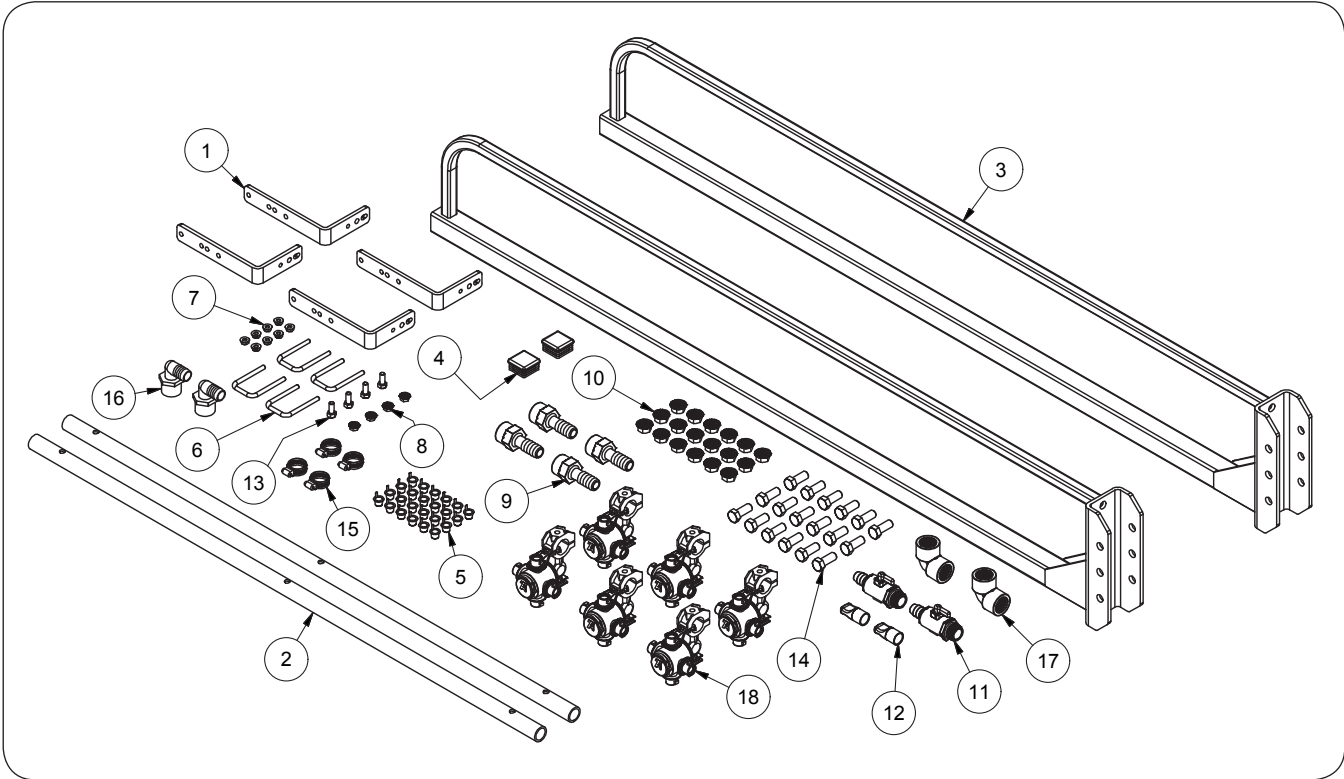
Please visit www.unverferth.com/parts/ for the most current parts listing.

ITEM	DESCRIPTION	PART NO.	QTY.	NOTES
	90' Conversion Kit (15")	407801	1	
	90' Conversion Kit (20")	407800	1	
1	Plate Bracket Nozzle =Black=	407476B	4	
2	Spray Pipe, 50	407496	2	15" Kit
	Spray Pipe, 45	407477	2	20" Kit
3	Extension Weldment =Black=	407639B	2	
4	Tapered Plastic Plug	9003939	32	15" Kit
			24	20" Kit
5	Plastic Plug	9004570	4	
6	U-Bolt	9004714	4	
7	Flange Nut, 1/4"-20UNC (SS)	9004720	8	
8	Flange Nut, 5/16"-18UNC (SS)	9005639	4	
9	Adapter, 3/4 Female to 3/4 Hose Barb	9005650	4	
10	Flange Nut, 1/2"-13UNC (SS)	9005691	24	
11	Valve - Poly 3/4" MPT x HB	9007699	2	
12	Cap	9007767	2	
13	Capscrew, 5/16"-18UNC x 3/4 (SS)	900900-028	4	
14	Capscrew, 1/2"-13UNC x 1 1/4 (SS)	900900-100	24	
15	Hose Clamp	TA800910	4	
16	Elbow, 3/4" FPT X 3/4" HB Female	TA809826	2	
17	Cap	TA814762	2	For 20" Kit ONLY
18	90° Elbow 3/4-14 NPTF	TA814791	2	
19	Sprayer Boom Nozzle Body	TA885421	8	15" Kit
			6	20" Kit

Front-Fold Booms 80' / 90' / 100' — Parts

90' To 100' Conversion Kits

Please visit www.unverferth.com/parts/ for the most current parts listing.



Front-Fold Booms 80' / 90' / 100' — Parts

90' To 100' Conversion Kits

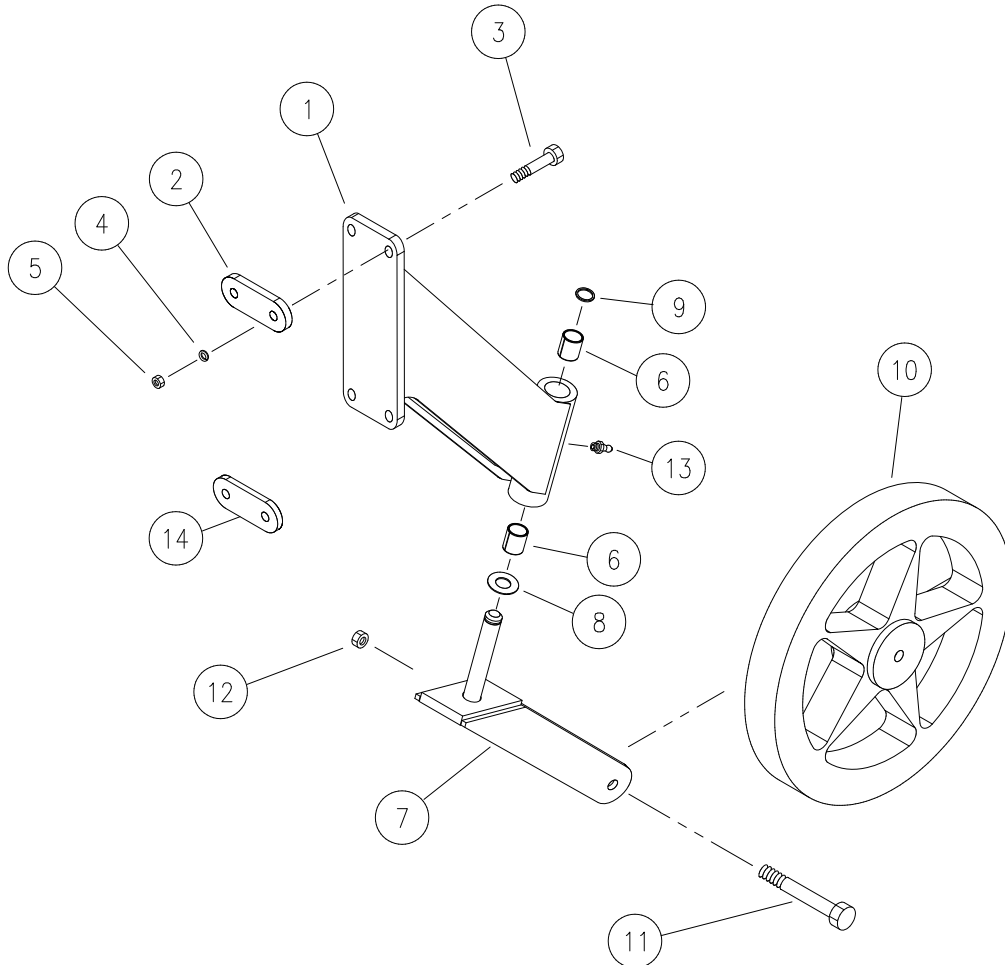
Please visit www.unverferth.com/parts/ for the most current parts listing.

ITEM	DESCRIPTION	PART NO.	QTY.	NOTES
	100' Conversion Kit (15")	408363	1	
	100' Conversion Kit (20")	408362	1	
1	Plate Bracket Nozzle =Black=	407476B	4	
2	Spray Pipe, 50	407496	2	15" Kit
	Spray Pipe, 45	407477	2	20" Kit
3	Extension Weldment =Black=	407646B	2	
4	Plastic Plug, Square	9001645	2	
5	Tapered Plastic Plug	9003939	32	15" Kit
			24	20" Kit
6	U-Bolt	9004714	4	
7	Flange Nut, 1/4"-20UNC (SS)	9004720	8	
8	Flange Nut, 5/16"-18UNC (SS)	9005639	4	
9	Adapter, 3/4 Female to 3/4 Hose Barb	9005650	4	
10	Flange Nut, 1/2"-13UNC (SS)	9005691	18	
11	Valve - Poly 3/4" MPT x HB	9007699	2	
12	Cap	9007767	2	
13	Capscrew, 5/16"-18UNC x 3/4 (SS)	900900-028	4	
14	Capscrew, 1/2"-13UNC x 1 1/4 (SS)	900900-100	18	
15	Hose Clamp	TA800910	4	
16	Elbow, 3/4" FPT X 3/4" HB Female	TA809826	2	
17	90° Elbow 3/4-14 NPTF	TA814791	2	
18	Sprayer Boom Nozzle Body	TA885421	8	15" Kit
			6	20" Kit

Front-Fold Booms 80' / 90' / 100' — Parts

Boom Wheel (Optional)

Please visit www.unverferth.com/parts/ for the most current parts listing.

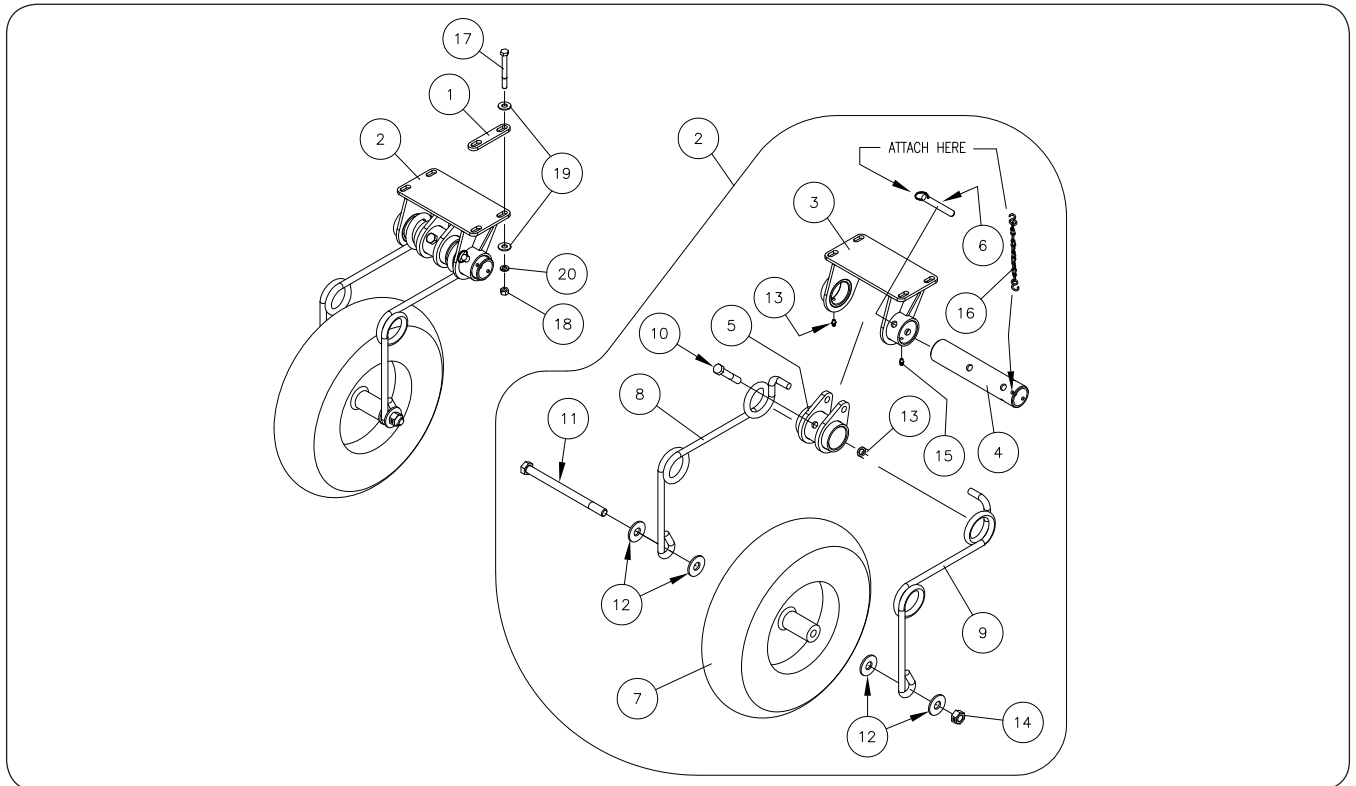


ITEM	DESCRIPTION	PART NO.	QTY.	NOTES
	Boom Wheel Assembly	402587	2	Includes Items 1 - 13
1	Boom Wheel Bracket Weldment	402348B	2	
2	Plate, Clamp	401745B	4	
3	Capscrew, 3/8-16UNC x 4 1/2	900900-068	8	Stainless Steel
4	Lock Washer, 3/8	900903-021	8	Stainless Steel
5	Hex Nut, 3/8-16UNC	900901-006	8	Stainless Steel
6	Bushing, Self-Lubricating	9003440	4	
7	Boom Wheel Pivot Weldment	402353B	2	3/4" / 1" Shaft
8	Flat Washer, 1"	900902-058	2	Stainless Steel
9	Retaining Ring, 1"	91192	2	
10	Wheel, 14"	TA510564	2	
11	Capscrew, 1/2"-13UNC x 3 3/4	900900-110	2	Stainless Steel
12	Locknut, 1/2"-13UNC	900906-010	2	Stainless Steel
13	Grease Zerk	91160	2	
14	Shim	407700B	2	Used when equipped with foam marker

Front-Fold Booms 80' / 90' / 100' — Parts

Boom Wheel (Optional)

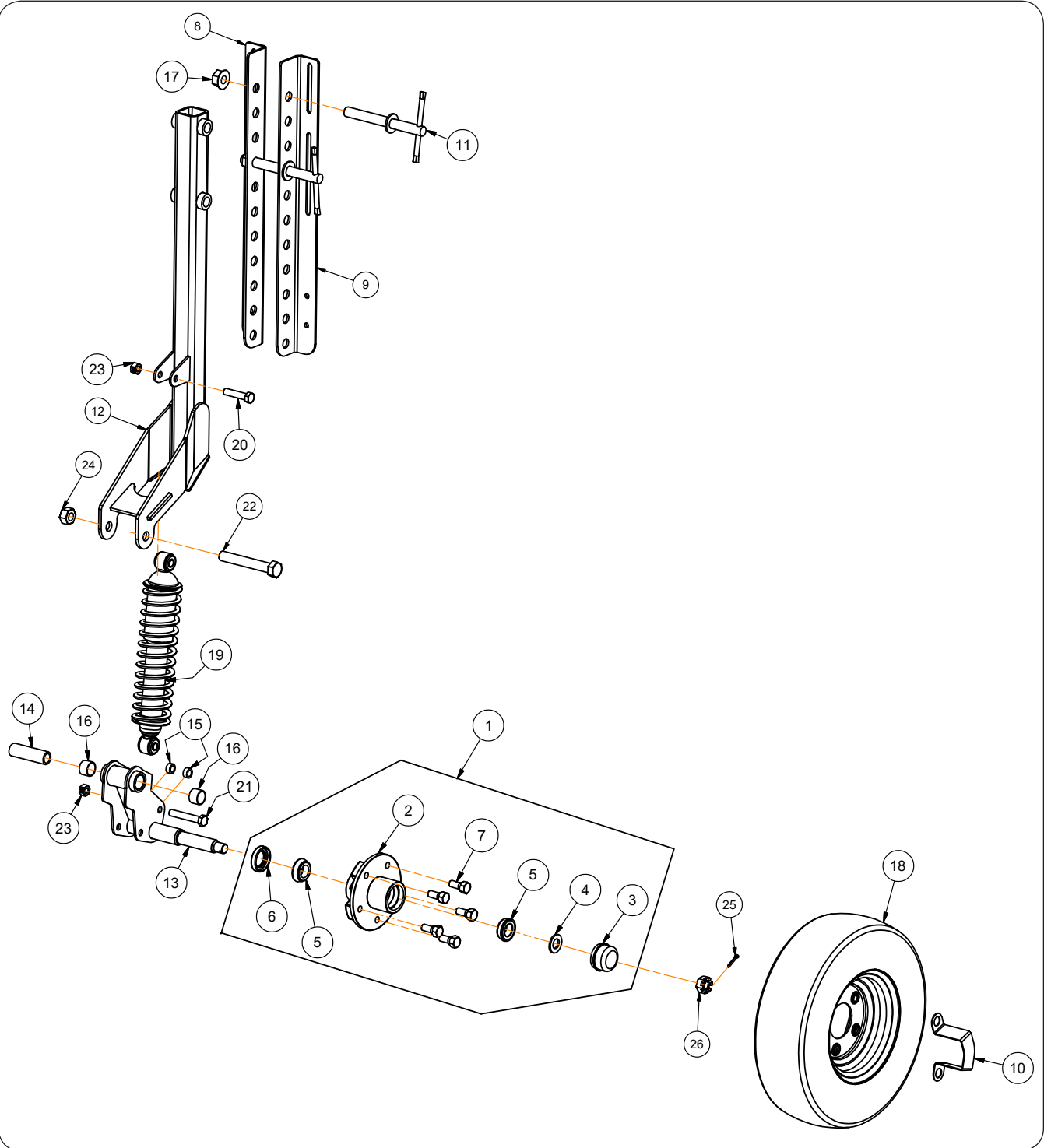
Please visit www.unverferth.com/parts/ for the most current parts listing.



ITEM	DESCRIPTION	PART NO.	QTY.	NOTES
	Boom Wheel Assembly	406726	2	Includes Items 1 - 13
1	Bolt Plate =Black=	406452B	4	
2	Boom Wheel Assembly	406462	2	
3	Wheel Bracket Weldment =Black=	406443B	1	
4	Spring Tube =Black=	406448B	1	
5	Spring Retainer Weldment =Black=	406449B	1	
6	Hitch Pin, 1/2 Dia. x 3	9000002	1	
7	Wheel/Tire	9004676	1	
	8" Steel Wheel	9004678	1	
	Tire - 4.80-8 (4 Ply)	9004677	1	
	Valve Stem	9003988	1	
8	RH Wheel Spring =Black=	9004849B	1	
9	LH Wheel Spring =Black=	9004867B	1	
10	Capscrew, 1/2"-13UNC x 3	900900-107	1	Stainless Steel
11	Capscrew, 5/8"-11UNC x 8 1/2	900900-441	1	Stainless Steel
12	Flat Washer, 5/8	900902-050	4	Stainless Steel
13	Locknut, 1/2"-13UNC	900906-010	1	Stainless Steel
14	Locknut, 5/8"-11UNC	900906-014	1	Stainless Steel
15	Grease Zerk	91160	2	
16	End Fill Chain	TA0-903700-0	AR	
17	Capscrew, 3/8-16UNC x 3 1/4	900900-064	8	Stainless Steel
18	Hex Nut, 3/8-16UNC	900901-006	8	Stainless Steel
19	Flat Washer, 3/8	900902-038	16	Stainless Steel
20	Lock Washer, 3/8	900903-021	8	Stainless Steel

Height Control Wheel Components

Please visit www.unverferth.com/parts/ for the most current parts listing.



Height Control Wheel Components

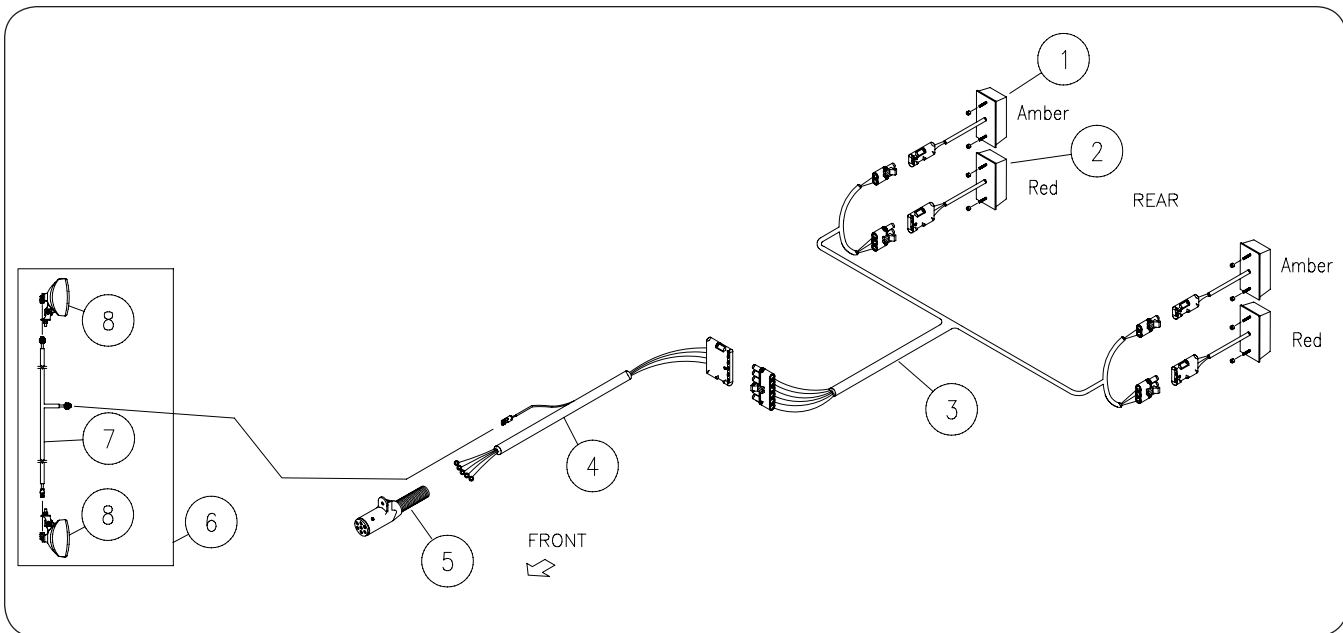
Please visit www.unverferth.com/parts/ for the most current parts listing.

ITEM	DESCRIPTION	PART NO.	QTY.	NOTES
	RH Height Control Wheel Assembly =Black=	411071B	1	
	LH Height Control Wheel Assembly =Black=	408761B	1	
1	Complete Hub Assembly =Black=	31051B	1	
2	Hub Assembly =Black=	31050B	1	
3	Hub Cap	92521	1	
4	Flat Washer, 3/4	91050	1	
5	Bearing Cone	92523	2	
6	Seal	92525	1	
7	Wheel Bolt, 1/2"-20UNF x 1 5/8"	91829	5	
8	RH Bracket Plate =Black=	408674B	1	
9	LH Bracket Plate =Black=	408675B	1	
10	Hub Cap Guard Plate =Black=	408715B	1	
11	Locking Pin	409210	2	
12	Wheel Pivot Mount Weldment =Black=	413792B	1	
13	Spindle	413798B	1	
14	Pivot Bushing Tube	413802	1	
15	Spacer Bushing	413803	2	
16	Self Lubricating Bushing	9004397	2	
17	Flange Nut, 3/4"-10UNC Gr. 5	9005332	2	
18	Wheel/Tire	9006523	1	
19	Coil Over Shock Assembly	9008420	1	
20	Capscrew, 1/2"-13UNC x 2 1/4"	900900-104	1	Stainless Steel
21	Capscrew, 1/2"-13UNC x 3"	900900-107	1	Stainless Steel
22	Capscrew, 3/4"-13UNC x 5"	900900-155	1	Stainless Steel
23	Locknut, 1/2"-13UNC	900906-010	2	Stainless Steel
24	Locknut, 3/4"-10UNC	900906-016	1	Stainless Steel
25	Cotter Pin	9391-033	1	
26	Slotted Nut, 3/4"-16UNF	9393-016	1	

Front-Fold Booms 80' / 90' / 100' — Parts

Electrical - Boom Lighting

Please visit www.unverferth.com/parts/ for the most current parts listing.



ITEM	DESCRIPTION	PART NUMBER	QTY.	NOTES
1	Light Kit, Amber (LED)	232168	2	Includes Hardware
2	Light Kit, Red (LED)	232170	2	Includes Hardware
3	Wiring Harness - Rear	9004131	1	
4	Wiring Harness - Front	9004577	1	
5	Electrical Coupler	92450	1	
6	Optional Boom Light	404741	-	
7	Harness, Boom Light	9004578	1	
8	Flood Light - Oval	9004579	2	
	Replacement Bulb	9004581	A/R	
9	Control Box Fuse Holder Panel Mount	9005413	-	Not Shown

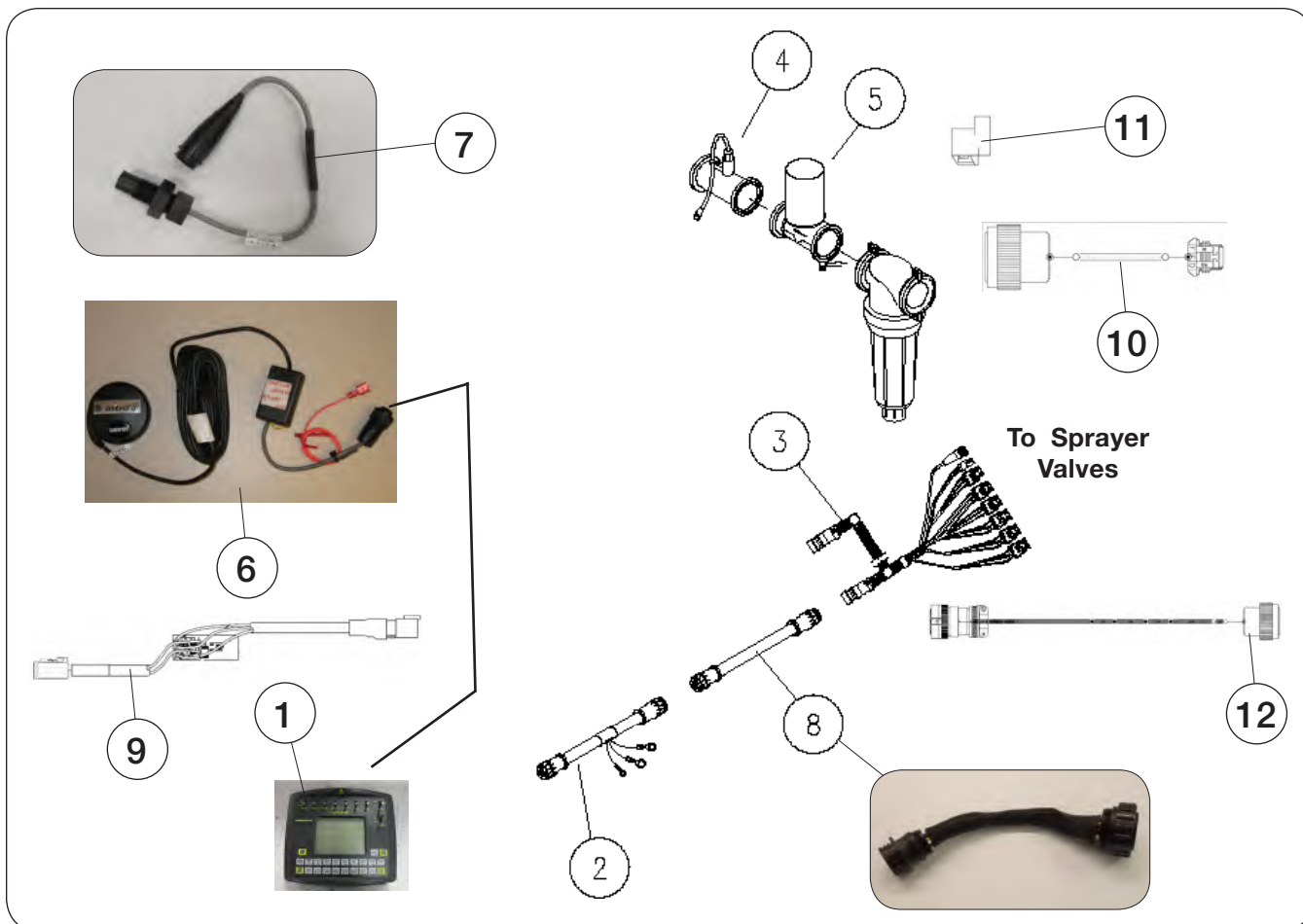
Notes

Please visit www.unverferth.com/parts/ for the most current parts listing.

Front-Fold Booms 80' / 90' / 100' — Parts

Electrical - Spray

Please visit www.unverferth.com/parts/ for the most current parts listing.

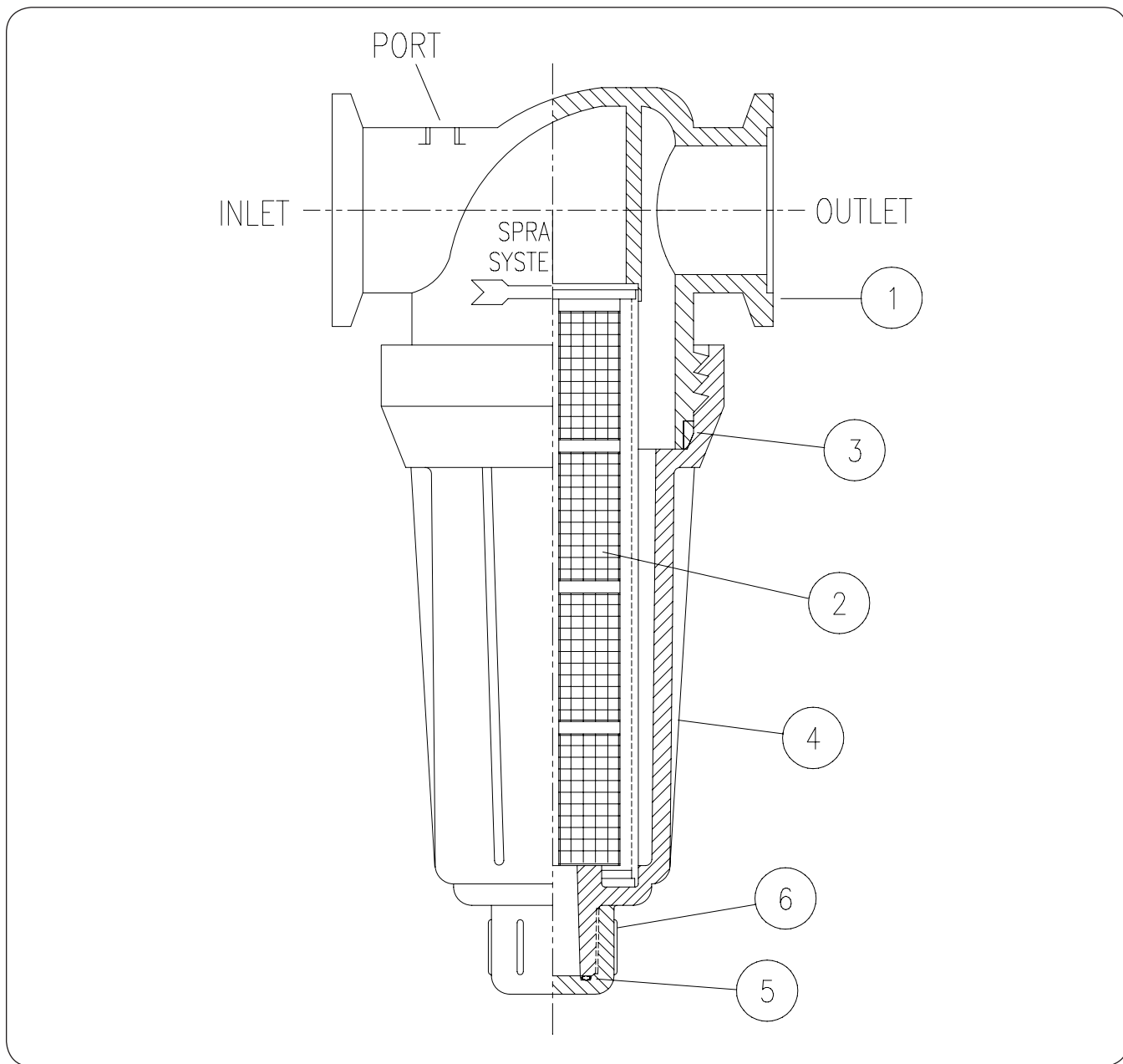


ITEM	DESCRIPTION	PART NUMBER	QTY.	NOTES
		RAVEN 4400		
1	Controller Kit, Raven 4400	409244FS	1	
	Console	TA720316	1	
	Fuse, Type 3AG, 6.25 Amp, 250 Volt	9005331	-	Not Shown Separately
2	Cable, Console (Generation 3)	9006998	1	
3	Cable, Sprayer Controller	9006684	1	
4	Flowmeter, RFM 60P	TA720365	1	
5	Regulating Valve, 1 1/2" Flanged	TA720260	1	Not Used With PWM Pumps
	Regulating Valve, 1" Flanged	TA720258		
6	Garmin Astro GPS Speed Sensor (1Hz) 3-Pin	TA723025	1	
7	Transducer for Flow Meter	TA720213	1	
8	Adapter Cable - 16 Pin To 37 Pin	9006739	1	
9	Boost Box Harness	9007550	1	Required With 4400 Controller
10	Terminator Adapter Cable	9006744	1	
11	Terminator	9005921	1	
12	CAN Bus Cable	9007060	1	

Front-Fold Booms 80' / 90' / 100' — Parts

Strainer

Please visit www.unverferth.com/parts/ for the most current parts listing.

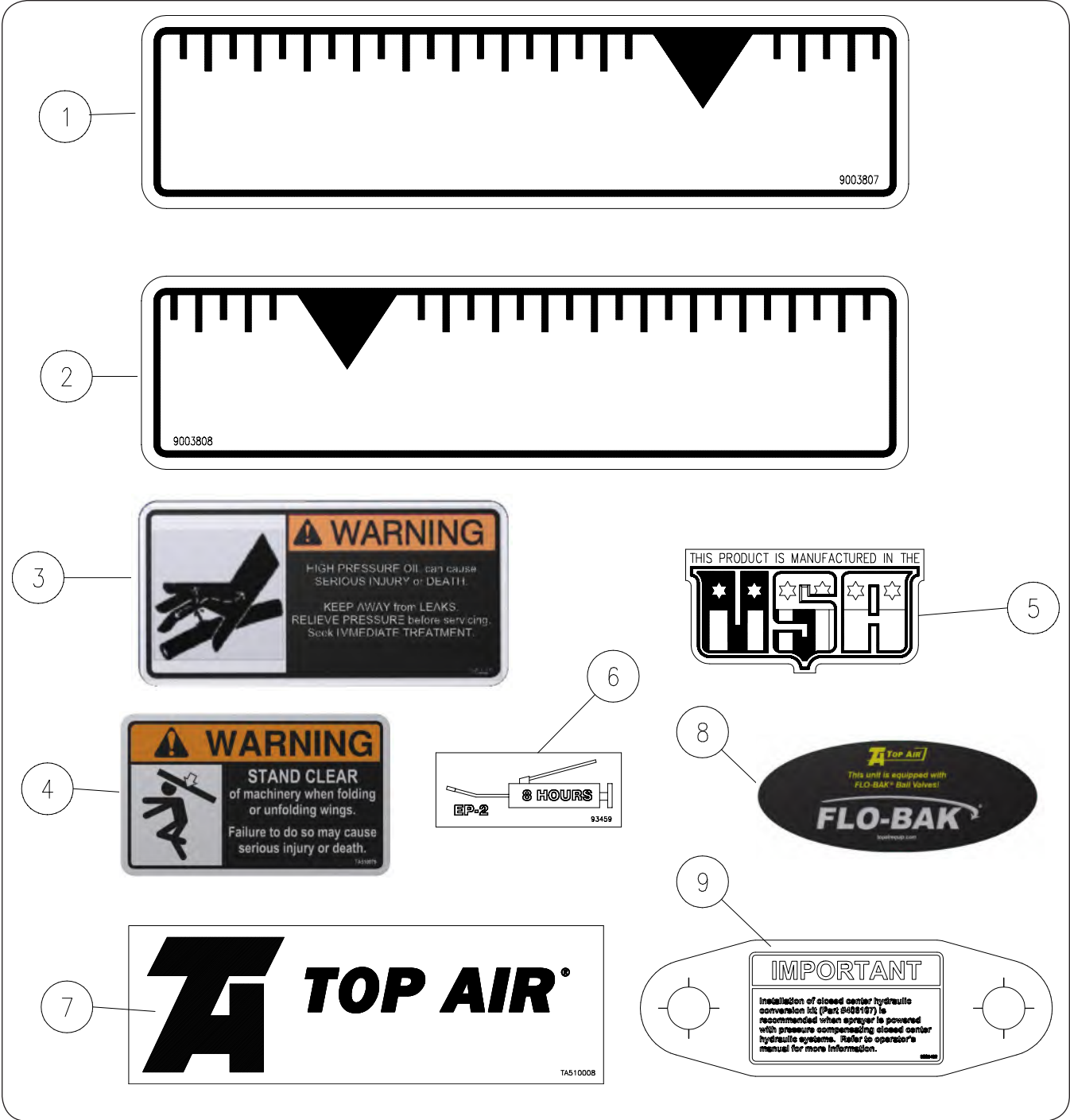


ITEM	DESCRIPTION	PART NO.	QTY.	NOTES
	Strainer Complete	402255	1	2" Flange
1	Strainer Head	N/A	1	
2	Screen, 50 Mesh (Red)	TA869070	1	
3	Gasket, EPDM	TA867486	1	
4	Bowl, Polypropylene	TA868842	1	
5	O-Ring, Viton	TA868843	1	
6	Cap, Polypropylene	TA868844	1	

Front-Fold Booms 80' / 90' / 100' — Parts

Decals

Please visit www.unverferth.com/parts/ for the most current parts listing.



Front-Fold Booms 80' / 90' / 100' — Parts

Decals

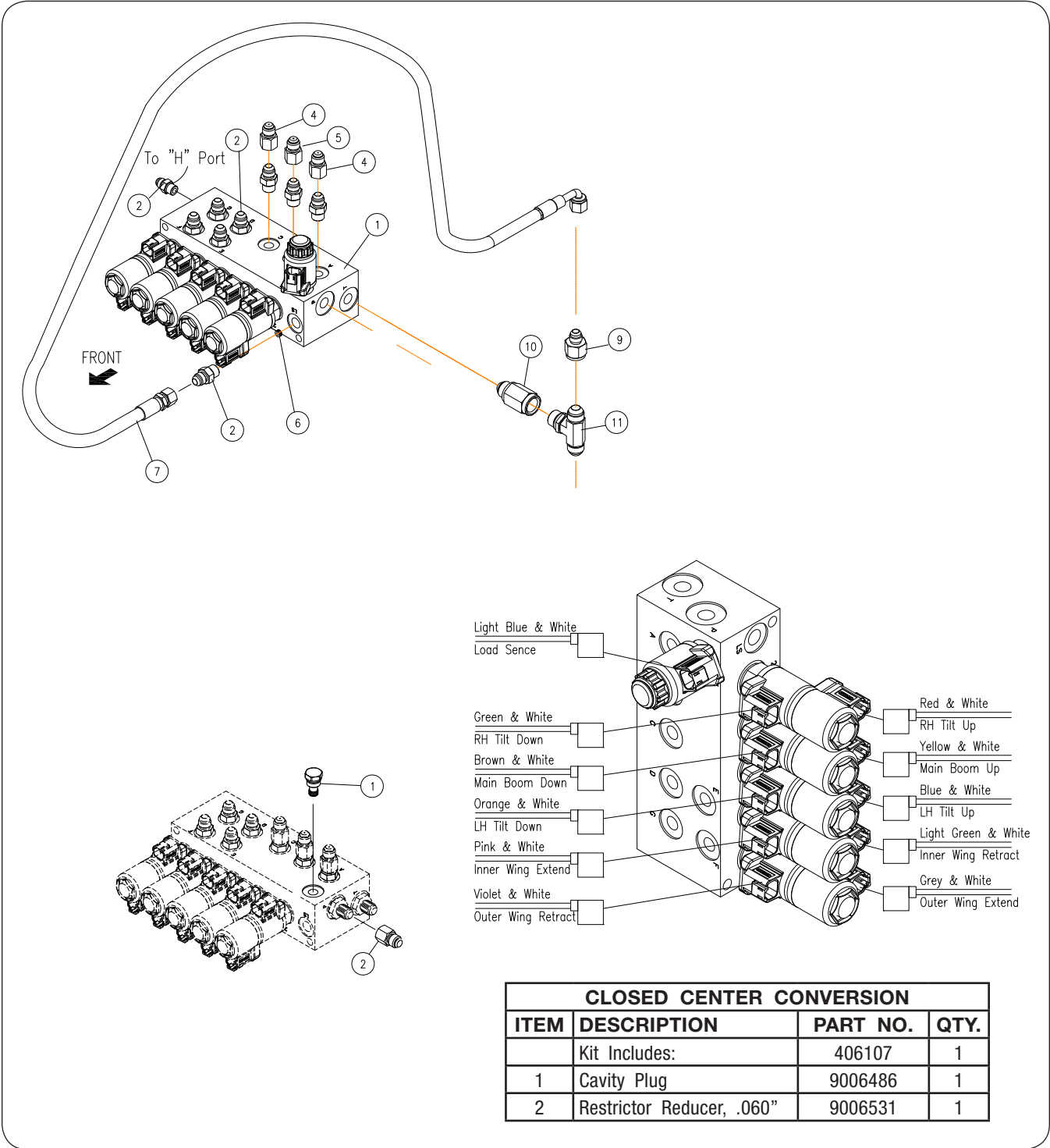
Please visit www.unverferth.com/parts/ for the most current parts listing.

ITEM	DESCRIPTION	PART NO.	QTY.	NOTES
1	Indicator Decal	9003807	1	Used on RH Side
2	Indicator Decal	9003808	1	Used on LH Side
3	Decal, "Hydraulic Warning"	95445	1	
4	Decal, "Warning - Stand Clear"	TA510079	2	
5	Decal - "USA"	TA510031	1	
6	Decal, "8-Hours Grease"	93459	5	
7	Decal, "Logo"	TA510008	1	
8	Decal, "Flo-Bak"	9004820	1	Optional
9	Decal, "Important"	9005492	1	

Front-Fold Booms 80' / 90' / 100' — Parts

Hydraulic Valve Fittings

Please visit www.unverferth.com/parts/ for the most current parts listing.



CLOSED CENTER CONVERSION			
ITEM	DESCRIPTION	PART NO.	QTY.
	Kit Includes:	406107	1
1	Cavity Plug	9006486	1
2	Restrictor Reducer, .060"	9006531	1

Hydraulic Valve Fittings

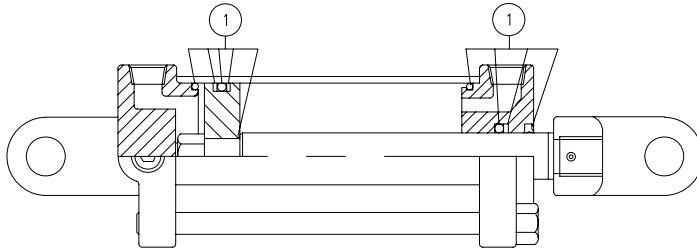
Please visit www.unverferth.com/parts/ for the most current parts listing.

ITEM	DESCRIPTION	PART NO.	QTY.	NOTES
1	Hydraulic Valve, Complete	9006399	1	
2	Adapter	9006150	9	9/16-18 JIC Flare O - ORM
3	Adapter	9006151	1	3/4-16 JIC Flare O - 3/4-16 ORM
4	Reducer Restrictor, .045"	9006153	2	9/16-18 JIC Flare O - F
5	Reducer Restrictor, .062"	9006154	1	9/16-18 JIC Flare O - F
6	Plug	9004326	1	1/16-27 NPT
7	Hose	9004112	1	9/16-18 JICF - 90° 9/16-18 JICF
9	Adapter/Tube Reducer	9006152	1	3/4-16 JICF - 9/16-18 JIC Flare O
10	Check Valve	94909	1	
11	Tee	9006155	1	3/4-16 JIC Flare O - 3/4-16 JIC Flare O - 3/4-16 ORM
12	Plug	9003423	1	

Front-Fold Booms 80' / 90' / 100' — Parts

Hydraulic Cylinders - Tie Rod

Please visit www.unverferth.com/parts/ for the most current parts listing.

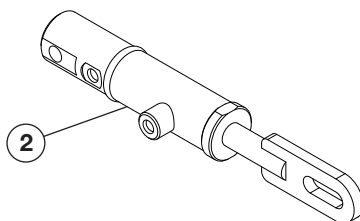
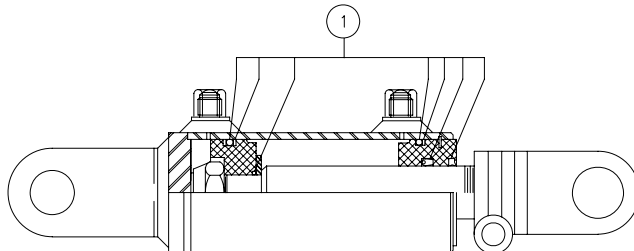


ITEM	DESCRIPTION	PART NO.	QTY.	NOTES
1	Hydraulic Cylinder 2 x 24	9003680	2	Main Lift
	Seal Kit for 2 x 24 Cylinder	9003105	-	
1	Hydraulic Cylinder 2 x 14	9003959	2	Main Wing Pivot
	Seal Kit for 2 x 14 Cylinder	9003105	-	
	Hydraulic Cylinder 2 1/2 x 14	9002123	2	Tilt
	Seal Kit for 2 1/2 x 14 Cylinder	95388	-	Main Wing Pivot & Tilt

Front-Fold Booms 80' / 90' / 100' — Parts

Hydraulic Cylinders - Welded

Please visit www.unverferth.com/parts/ for the most current parts listing.

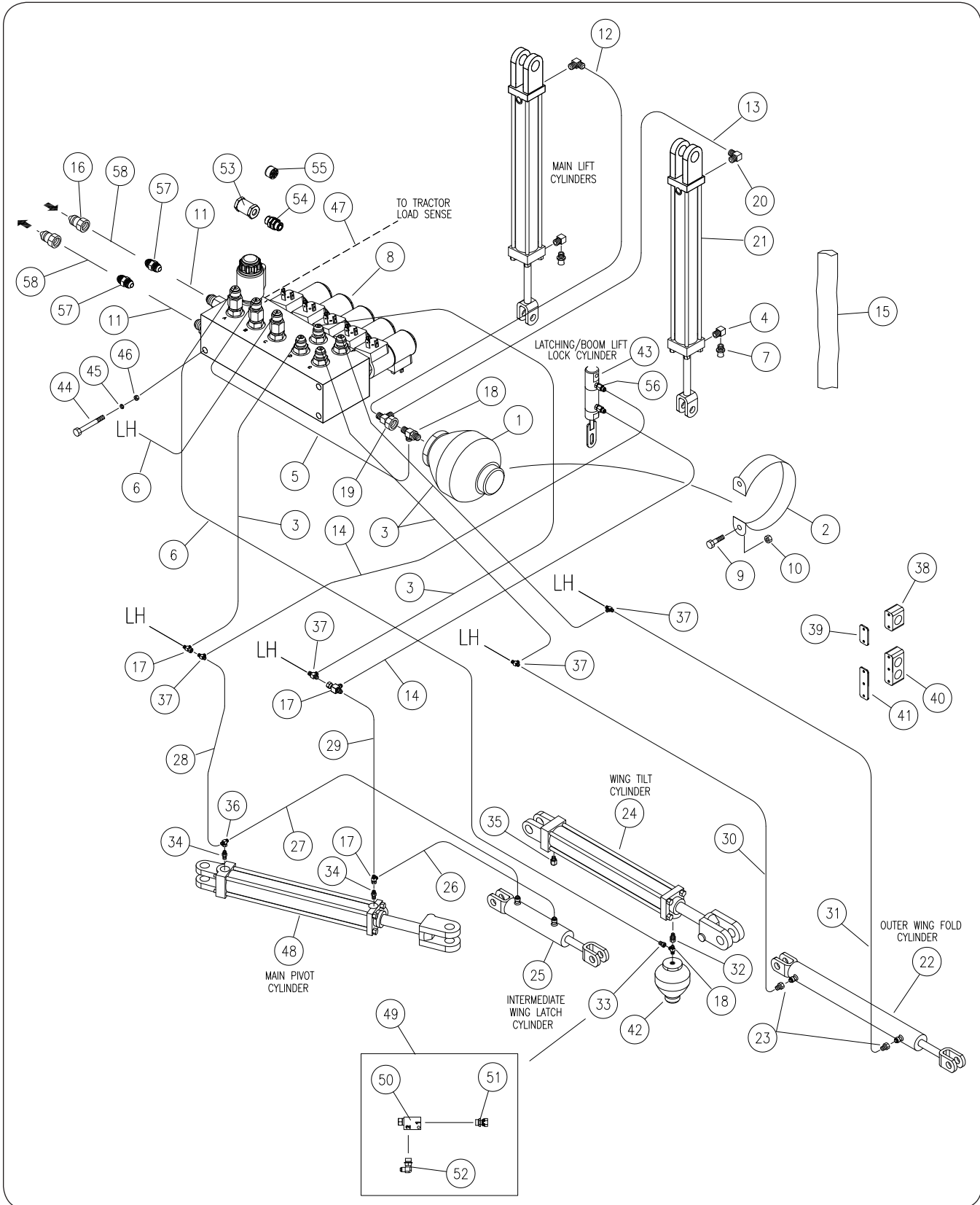


ITEM	DESCRIPTION	PART NO.	QTY.	NOTES
1	Hydraulic Cylinder 1 1/2 x 4	9003789	2	Intermediate Wing Latch
	Seal Kit for 1 1/2 x 4 Cylinder	9005419	-	
1	Hydraulic Cylinder 2 x 16	9004383	2	Outer Wing Fold
	Seal Kit for 2 x 16 Cylinder	9004384	-	
1	Hydraulic Cylinder 2 1/4 x 16	9004632	2	Outer Wing Fold
	Seal Kit for 2 1/4 x 16 Cylinder	9004633	-	
1	Hydraulic Cylinder 2 1/2 x 16	9004619	2	Outer Wing Fold
	Seal Kit for 2 1/2 x 16 Cylinder	9005472	-	
2	Hydraulic Cylinder 1 1/4 x 1	9005606	1	Boom Lift Lock
	Seal Kit for 1 1/4 x 1 Cylinder	9005658	-	

Front-Fold Booms 80' / 90' / 100' — Parts

Hydraulic System

Please visit www.unverferth.com/parts/ for the most current parts listing.



Front-Fold Booms 80' / 90' / 100' — Parts

Hydraulic System

Please visit www.unverferth.com/parts/ for the most current parts listing.

ITEM	DESCRIPTION	PART NO.	QTY.	NOTES
1	Accumulator	9003796	1	1.4 L / 400 PSI Precharge
2	Clamp	400665B	1	
3	Hose, 1/4 x 78"	9000925	4	9/16-18 JICF 90 / Str.
4	Elbow	9001034	2	3/4-16 ORM / 3/8 NPTF 90
5	Hose, 3/8 x 16	9003681	1	9/16-18 JICF 90 / 3/4-16 JICF
6	Hose, 1/4 x 120"	901521	2	9/16-18 JICF 90 / Straight
7	Breather	9003736	2	3/8 NPT Bronze
8	Control Valve, 5-Spool	9003797	1	Pages 24 & 25
9	Capscrew, 3/8-16UNC x 1 1/4	9390-056	2	
10	Locknut, 3/8-16UNC	9928	2	
11	Hose, 1/2 x 260"	9005835 (Return)	2	3/4-16 JICF 90 / 3/4-16 JICF
		9006241 (Pressure)		
12	Hose, 1/2 x 15 1/2"	9003834	1	3/4-16 JICF
13	Hose, 1/2 x 36"	94086	1	3/4-16 JICF
14	Hose, 1/4 x 31"	9003836	2	9/16-18 JICF 90 / Straight
15	Hose Wrap, 3"	9003849	6	
16	Male Tip Coupling	91383	4	3/4-16 O-Ring
17	Tee	9006157	2	9/16-18 JIC Flare O-JICF Swivel Run
18	Tee	9006159	4	3/4-16 JIC Flare O x 3/4-16 ORM Run
19	Tee	9006160	1	3/4-16 JIC Flare O x JICF Sw. Branch
20	Elbow	9006167	2	3/4-16 JIC Flare O ORM
21	Cylinder, Tie Rod - 2 x 24"	9003680	2	Main Lift - Page 26
22	Cylinder, Welded - 2 1/4 x 16"	9004632	2	Outer Wing Fold - Page 26
23	Restrictor Reducer	9006161	4	9/16-18 JICF - Flare O, .030"
24	Cylinder, Tie Rod - 2 1/2 x 14"	9002123	2	Tilt - Page 26
25	Cylinder, Welded - 1 1/2 x 4"	9003789	2	Interm. Wing Latch - Page 26
26	Hose, 1/4 x 200"	9001854	2	9/16-18 JICF
27	Hose, 1/4 x 217"	9003221	2	9/16-18 JICF
28	Hose, 1/4 x 22"	9003897	2	9/16-18 JICF
29	Hose, 1/4 x 39.5"	9003436	2	9/16-18 JICF
30	Hose, 1/4 x 354"	9003779	2	9/16-18 JICF 90 / Str.
31	Hose, 1/4 x 367"	9003780	2	9/16-18 JICF 90 / Str.
32	Adapter	96935	2	3/4-16 JICF / ORM
33	Tube Reducer	9006152	2	3/4-16 JICF / 9/16-18 JIC Flare O
34	Adapter Restrictor - .031	9006162	4	9/16-18 JIC Flare O / 3/4-16 ORM
35	Breather Plug	9003825	2	3/4-16UNF
36	Tee	9006158	2	9/16-18 JIC Flare O / JICF Sw. Br.
37	Tee	9006164	4	9/16-18 JIC Flare O
38	Single Clamp Pair, .55	9003815	4	
39	Top Plate, Single	9003813	4	
40	Twin Clamp Pair, .55	9003816	28	
41	Top Plate, Twin	9003814	28	
42	Accumulator	9003811	1	.32 L / 400 PSI Precharge
43	Latching/Boom Lift Lock Cylinder	9005606	1	
44	Capscrew, 5/16"-18UNC x 4	9390-042	3	
45	Lock Washer, 5/16	9404-019	3	
46	Nut, 5/16"-18UNC	9394-004	3	
47	Hose, 1/4 x 372"	9003948	1	Option - Load Sense
48	Cylinder, Tie Rod - 2 x 14"	9003959	2	Main Pivot
49	Optional 1-Way Orifice Kit	406911	-	Includes Items 50-52
50	Orifice w/Reverse Free Flow Check	9005006	2	
51	Adapter	96935	2	3/4-16 JICF / ORM
52	90° Elbow	9006173	2	9/16-18 JIC Flare O 90° / 3/4-16 ORM
53	Inline Filter	9005403	1	(Installed on pressure hose of tractor)
54	3/4" O-Ring Nipple	98508	1	
55	Replacement Filter Element	9005404	1	
56	Adapter	9006163	2	9/16-18 JIC Flare O / 7/16-20 ORM
57	Adapter	9006156	2	3/4-16 JIC Flare O x 3/4-16 JIC Flare O
58	Hose 1/2 x 152	9001103	2	3/4-16 ORM x 3/4-16 JICF

Front-Fold Booms 80' / 90' / 100' — Parts

Spray Plumbing - 80' 6-Section Boom - 15" Spacing Models 1200 / 1600

Please visit www.unverferth.com/parts/ for the most current parts listing.

BOOM CALIBRATION

SECTION 1 - 120"

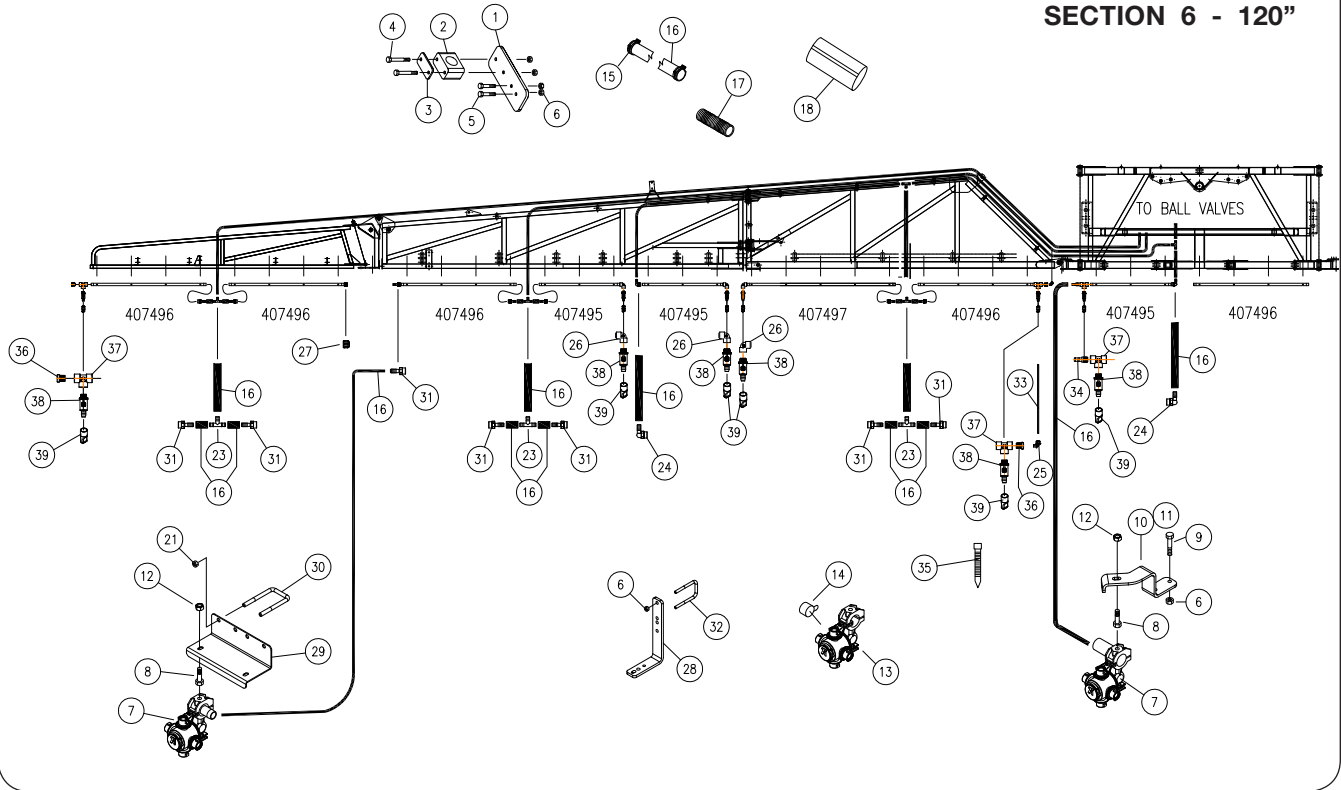
SECTION 2 - 120"

SECTION 3 - 240"

SECTION 4 - 255"

SECTION 5 - 120"

SECTION 6 - 120"



Front-Fold Booms 80' / 90' / 100' — Parts

Spray Plumbing - 80' 6-Section Boom - 15" Spacing Models 1200 / 1600

Please visit www.unverferth.com/parts/ for the most current parts listing.

ITEM	DESCRIPTION	PART NO.	QTY	NOTES
1	Pipe Bracket	401318B	4	
2	Single Clamp Pair (Polypropylene)	9003819	24	
3	Top Plate for Single Clamp Pair	9004038	24	
4	Capscrew (Stainless Steel) 1/4"-20UNC x 2 1/2	900900-011	48	
5	Capscrew 1/4"-20UNC x 3/4 (Stainless Steel)	900900-003	8	
6	Flange Nut 1/4"-20UNC	9004720	76	
7	Nozzle/Quad QJ 3/4" Elbow	TA885401	4	
8	Capscrew (Stainless Steel) 5/16"-18UNC x 3/4	900900-028	12	
9	Capscrew (Stainless Steel) 1/4"-20UNC x 1	900900-005	4	
10	RH Nozzle Bracket Plate	403279B	1	
11	LH Nozzle Bracket Plate	403280B	1	
12	Flange Nut 5/16"-18UNC (Stainless Steel)	9005639	12	
13	Nozzle/Quad QJ 3/4" Eyelet	TA885421	61	
14	Tapered Plastic Plug	9003939	260	
15	Hose Clamp 1/2"	TA800910	60	
16	Hose 3/4" Dia. (EPDM)	TA806250	190 Ft	
17	Spiral Hose Wrap, 1 3/8" Dia.	9004075	32 Ft	
18	Hose 4" Wrap	9003805	8 Ft	
21	Flange Nut 3/8-16UNC	9005640	4	
23	Hose Barb 3/4" Poly Tee	TA814891	10	
24	Elbow 3/4" FPT x 3/4" HB	TA809826	4	
25	Elbow 1/4" NPT x 1/4" Gauge Tube	TA720802	1	
26	90° Elbow 3/4-14 NPTF Female x 3/4-14 NPTF Female	TA814791	5	
27	Poly Cap 3/4-14 NPTF	TA814762	2	
28	Nozzle Bracket 10 5/8"	407476B	8	
29	RH Nozzle Bracket 7 7/16"	407672B	1	
	LH Nozzle Bracket 7 7/16"	407673B	1	
30	U-Bolt (Stainless Steel) 3/8-16UNC x 4 x 2 3/8	9004684	2	
31	Adapter 3/4" FPT x 3/4" HB	9005650	14	
32	U-Bolt (Stainless Steel) 1/4"-20UNC x 3.00	9005638	8	
33	Gauge Tube 1/4" Dia.	TA720620	51 Ft	
34	Hose Barb 3/4-14MPTx3/4HS (Straight)	TA814861	2	
35	Cable Ties	9000104	60	
36	Reducer Bushing 3/4-14 NPTF Male x 1/4-18 NPTF Female	TA814651	3	
37	Tee 3/4-14 NPTF Female x 3/4-14 NPTF Female Run x 3/4-14 NPTF Female Branch	TA814781	5	
38	Valve 3/4" MPT x HB	9007699	12	
39	Cap	9007767	12	

Front-Fold Booms 80' / 90' / 100' — Parts

Spray Plumbing - 80' 6-Section Boom - 20" Spacing Models 1200 / 1600

Please visit www.unverferth.com/parts/ for the most current parts listing.

BOOM CALIBRATION

SECTION 1 - 120"

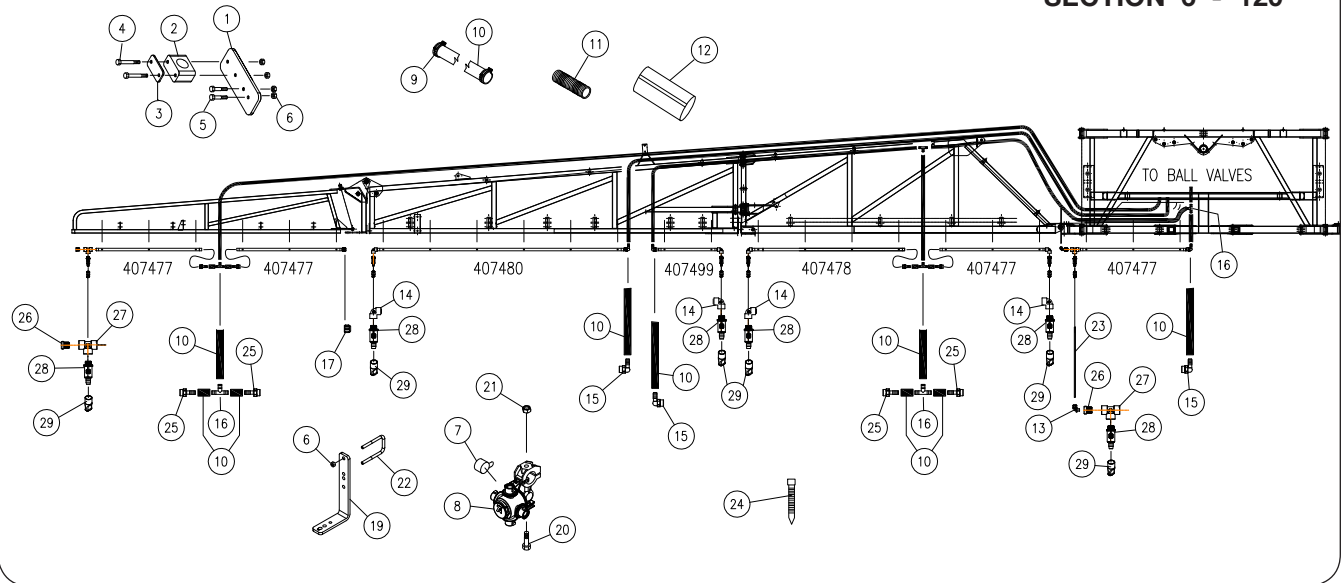
SECTION 2 - 120"

SECTION 3 - 240"

SECTION 4 - 240"

SECTION 5 - 120"

SECTION 6 - 120"



Front-Fold Booms 80' / 90' / 100' — Parts

Spray Plumbing - 80' 6-Section Boom - 20" Spacing Models 1200 / 1600

Please visit www.unverferth.com/parts/ for the most current parts listing.

ITEM	DESCRIPTION	PART NO.	QTY	NOTES
1	Pipe Bracket	401318B	4	
2	Single Clamp Pair (Polypropylene)	9003819	24	
3	Top Plate for Single Clamp Pair	9004038	24	
4	Capscrew (Stainless Steel) 1/4"-20UNC x 2 1/2	900900-011	48	
5	Capscrew 1/4"-20UNC x 3/4 (Stainless Steel)	900900-003	8	
6	Flange Nut 1/4"-20UNC	9004720	72	
7	Tapered Plastic Plug	9003939	192	
8	Nozzle/Quad QJ 3/4" Eyelet	TA885421	48	
9	Hose Clamp 1/2"	TA800910	44	
10	Hose 3/4" Dia. (EPDM)	TA806250	190 Ft	
11	Spiral Hose Wrap, 1 3/8" Dia.	9004075	32 Ft	
12	Hose 4" Wrap	9003805	8 Ft	
13	Elbow 1/4" NPT x 1/4" Gauge Tube	TA720802	1	
14	90° Elbow 3/4-14 NPTF Female x 3/4-14 NPTF Female	TA814791	9	
15	Elbow 3/4" FPT x 3/4" HB	TA809826	6	
16	Hose Barb 3/4" Poly Tee	TA814891	8	
17	Poly Cap 3/4-14 NPTF	TA814762	2	
19	Nozzle Bracket 10 5/8"	407476B	8	
20	Capscrew (Stainless Steel) 5/16"-18UNC x 3/4	900900-028	8	
21	Flange Nut 5/16"-18UNC (Stainless Steel)	9005639	8	
22	U-Bolt (Stainless Steel) 1/4"-20UNC x 3.00	9005638	8	
23	Gauge Tube 1/4" Dia.	TA720620	51 Ft	
24	Cable Ties	9000104	60	
25	Adapter 3/4" FPT x 3/4" HB	9005650	8	
26	Reducer Bushing 3/4-14 NPTF Male x 1/4-18 NPTF Female	TA814651	3	
27	Tee 3/4-14 NPTF Female x 3/4-14 NPTF Female Run x 3/4-14 NPTF Female Branch	TA814781	3	
28	Valve 3/4" MPT x HB	9007699	12	
29	Cap	9007767	12	

Front-Fold Booms 80' / 90' / 100' — Parts

Spray Plumbing - 90' 6-Section Boom - 15" Spacing Models 1200 / 1600 / 2400

Please visit www.unverferth.com/parts/ for the most current parts listing.

BOOM CALIBRATION

SECTION 1 - 180"

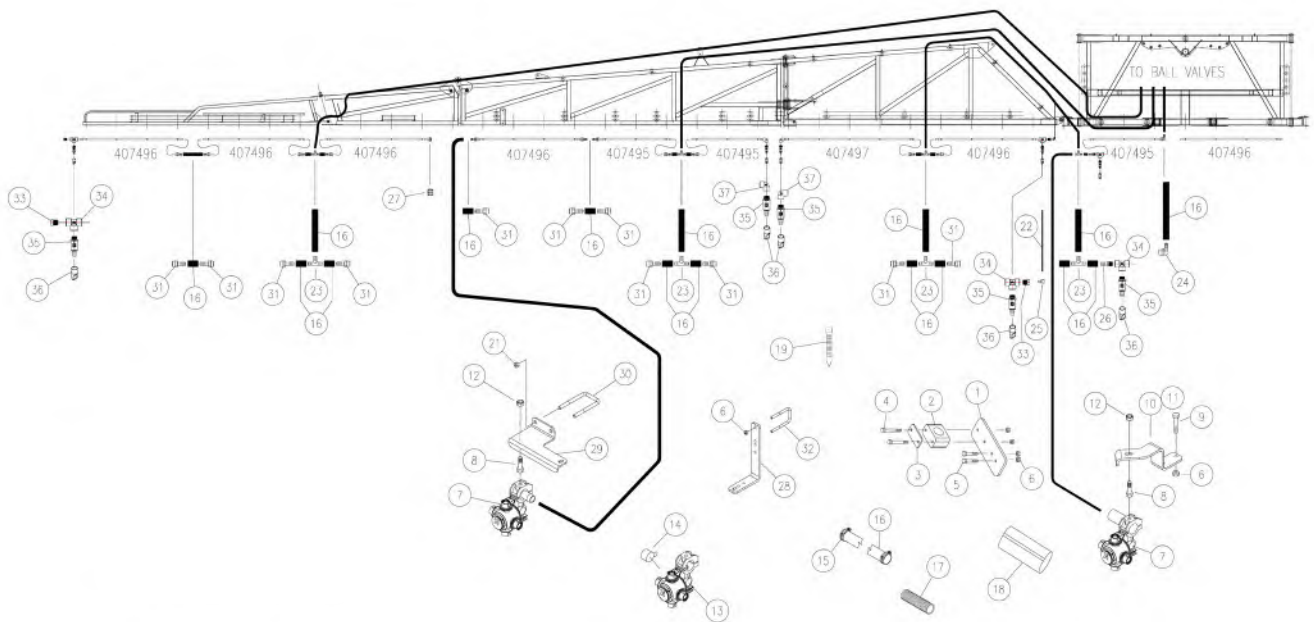
SECTION 2 - 165"

SECTION 3 - 195"

SECTION 4 - 210"

SECTION 5 - 165"

SECTION 6 - 180"



Front-Fold Booms 80' / 90' / 100' — Parts

Spray Plumbing - 90' 6-Section Boom - 15" Spacing Models 1200 / 1600 / 2400

Please visit www.unverferth.com/parts/ for the most current parts listing.

ITEM	DESCRIPTION	PART NO.	QTY	NOTES
1	Pipe Bracket	401318B	4	
2	Single Clamp Pair (Polypropylene)	9003819	24	
3	Top Plate for Single Clamp Pair	9004038	24	
4	Capscrew (Stainless Steel) 1/4"-20UNC x 2 1/2	900900-011	48	
5	Capscrew 1/4"-20UNC x 3/4 (Stainless Steel)	900900-003	8	
6	Flange Nut 1/4"-20UNC	9004720	84	
7	Nozzle/Quad QJ 3/4" Elbow	TA885401	4	
8	Capscrew (Stainless Steel) 5/16"-18UNC x 3/4	900900-028	16	
9	Capscrew (Stainless Steel) 1/4"-20UNC x 1	900900-005	4	
10	RH Nozzle Bracket Plate	403279B	1	
11	LH Nozzle Bracket Plate	403280B	1	
12	Flange Nut 5/16"-18UNC (Stainless Steel)	9005639	16	
13	Nozzle/Quad QJ 3/4" Eyelet	TA885421	69	
14	Tapered Plastic Plug	9003939	292	
15	Hose Clamp 1/2"	TA800910	60	
16	Hose 3/4" Dia. (EPDM)	TA806250	220 Ft	
17	Spiral Hose Wrap, 1 3/8" Dia.	9004075	36 Ft	
18	Hose 4" Wrap	9003805	8 Ft	
19	Cable Ties	9000104	80	
20	U-Bolt (Stainless Steel) 1/4"-20UNC x 3	9005638	8	
21	Flange Nut 3/8-16UNC	9005640	4	
22	Gauge Tube 1/4" Dia.	TA720620	51 Ft	
23	Hose Barb 3/4" Poly Tee	TA814891	8	
24	Elbow 3/4" FPT x 3/4" HB	TA809826	2	
25	Adapter 1/4" MPT x 1/4" Gauge Tube	TA720808	1	
26	Hose Barb 3/4-14MPTx3/4HS (Straight)	TA814861	2	
27	Poly Cap 3/4-14 NPTF	TA814762	2	
28	Nozzle Bracket 10 5/8"	407476B	12	
29	Nozzle Bracket RH	407672B	1	
	Nozzle Bracket LH	407673B		
30	U-Bolt (Stainless Steel) 3/8-16UNC x 4 x 2 3/8	9004684	2	
31	Adapter 3/4" FPT x 3/4" HB	9005650	22	
32	U-Bolt (Stainless Steel) 1/4"-20UNC x 3 x 2 5/16	9005638	8	
	U-Bolt (Stainless Steel) 1/4"-20UNC x 2 3/4 x 1 13/16	9004714	4	
33	Reducer Bushing 3/4-14 NPTF Male x 1/4-18 NPTF Female	TA814651	3	
34	Tee 3/4-14 NPTF Female x 3/4-14 NPTF Female Run x 3/4-14 NPTF Female Branch	TA814781	5	
35	Valve 3/4" MPT x HB	9007699	10	
36	Cap	9007767	10	
37	90° Elbow 3/4-14 NPTF Female x 3/4-14 NPTF Female	TA814791	5	

Front-Fold Booms 80' / 90' / 100' — Parts

Spray Plumbing - 90' 6-Section Boom - 20" Spacing Models 1200 / 1600 / 2400

Please visit www.unverferth.com/parts/ for the most current parts listing.

BOOM CALIBRATION

SECTION 1 - 180"

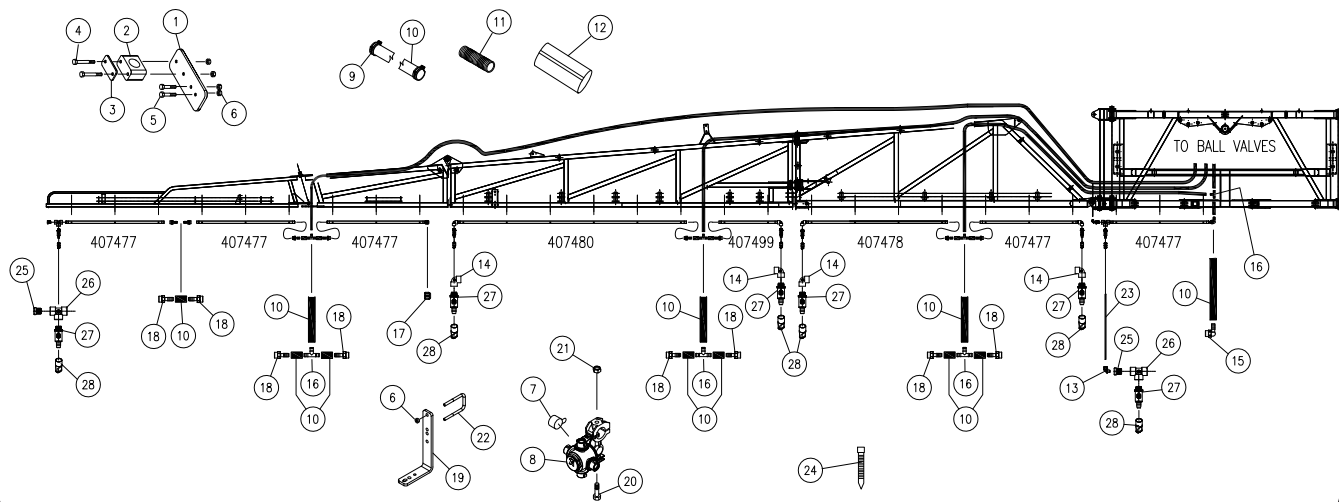
SECTION 2 - 160"

SECTION 3 - 200"

SECTION 4 - 200"

SECTION 5 - 160"

SECTION 6 - 180"



Front-Fold Booms 80' / 90' / 100' — Parts

Spray Plumbing - 90' 6-Section Boom - 20" Spacing Models 1200 / 1600 / 2400

Please visit www.unverferth.com/parts/ for the most current parts listing.

ITEM	DESCRIPTION	PART NO.	QTY	NOTES
1	Pipe Bracket	401318B	4	
2	Single Clamp Pair (Polypropylene)	9003819	24	
3	Top Plate for Single Clamp Pair	9004038	24	
4	Capscrew (Stainless Steel) 1/4"-20UNC x 2 1/2	900900-011	48	
5	Capscrew (Stainless Steel) 1/4"-20UNC x 3/4	900900-003	8	
6	Flange Nut 1/4"-20UNC	9004720	80	
7	Tapered Plastic Plug	9003939	216	
8	Nozzle/Quad QJ 3/4" Eyelet	TA885421	54	
9	Hose Clamp 1/2"	TA800910	50	
10	Hose 3/4" Dia. (EPDM)	TA806250	220 Ft	
11	Spiral Hose Wrap, 1 3/8" Dia.	9004075	36 Ft	
12	Hose 4" Wrap	9003805	8 Ft	
13	Elbow 1/4" NPT x 1/4" Gauge Tube	TA720802	1	
14	90° Elbow 3/4-14 NPTF Female x 3/4-14 NPTF Female	TA814791	9	
15	Elbow 3/4" FPT x 3/4" HB	TA809826	2	
16	Hose Barb 3/4" Poly Tee	TA814891	8	
17	Poly Cap 3/4-14 NPTF	TA814762	2	
18	Adapter 3/4" FPT x 3/4" HB	9005650	16	
19	Nozzle Bracket 10 5/8"	407476B	12	
20	Capscrew (Stainless Steel) 5/16"-18UNC x 3/4	900900-028	12	
21	Flange Nut 5/16"-18UNC (Stainless Steel)	9005639	12	
22	U-Bolt (Stainless Steel) 1/4"-20UNC x 3 x 2 5/16	9005638	8	
	U-Bolt (Stainless Steel) 1/4"-20UNC x 2 3/4 x 1 13/16	9004714	4	
23	Gauge Tube 1/4" Dia.	TA720620	51 Ft	
24	Cable Ties	9000104	70	
25	Reducer Bushing 3/4-14 NPTF Male x 1/4-18 NPTF Female	TA814651	3	
26	Tee 3/4-14 NPTF Female x 3/4-14 NPTF Female Run x 3/4-14 NPTF Female Branch	TA814781	3	
27	Valve 3/4" MPT x HB	9007699	12	
28	Cap	9007767	12	

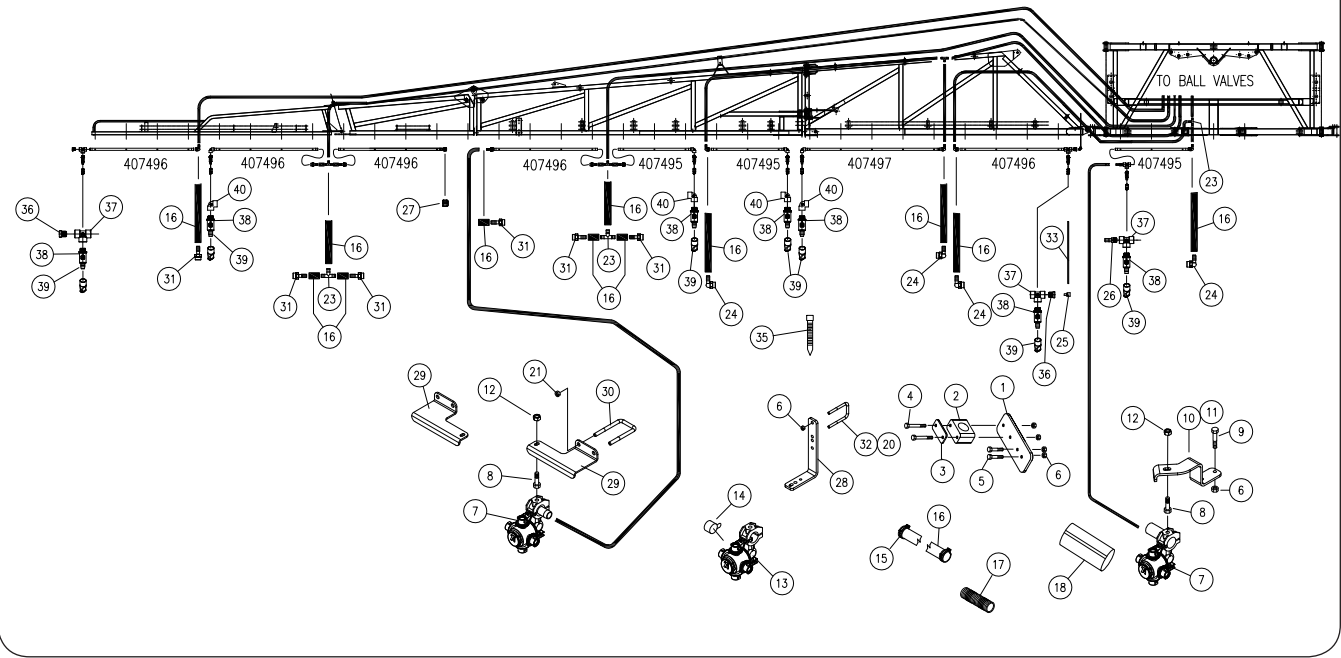
Front-Fold Booms 80' / 90' / 100' — Parts

Spray Plumbing - 90' 10-Section Boom - 15" Spacing Models 1200 / 1600 / 2400

Please visit www.unverferth.com/parts/ for the most current parts listing.

BOOM CALIBRATION

- SECTION 1 - 60"
- SECTION 2 - 120"
- SECTION 3 - 120"
- SECTION 4 - 120"
- SECTION 5 - 120"
- SECTION 6 - 135"
- SECTION 7 - 120"
- SECTION 8 - 120"
- SECTION 9 - 120"
- SECTION 10 - 60"



Front-Fold Booms 80' / 90' / 100' — Parts

Spray Plumbing - 90' 10-Section Boom - 15" Spacing Models 1200 / 1600 / 2400

Please visit www.unverferth.com/parts/ for the most current parts listing.

ITEM	DESCRIPTION	PART NO.	QTY	NOTES
1	Pipe Bracket	401318B	4	
2	Single Clamp Pair (Polypropylene)	9003819	24	
3	Top Plate for Single Clamp Pair	9004038	24	
4	Capscrew (Stainless Steel) 1/4"-20UNC x 2 1/2	900900-011	48	
5	Capscrew 1/4"-20UNC x 3/4 (Stainless Steel)	900900-003	8	
6	Flange Nut 1/4"-20UNC	9004720	84	
7	Nozzle/Quad QJ 3/4" Elbow	TA885401	4	
8	Capscrew (Stainless Steel) 5/16"-18UNC x 3/4	900900-028	16	
9	Capscrew (Stainless Steel) 1/4"-20UNC x 1	900900-005	4	
10	RH Nozzle Bracket Plate	403279B	1	
11	LH Nozzle Bracket Plate	403280B	1	
12	Flange Nut 5/16"-18UNC (Stainless Steel)	9005639	16	
13	Nozzle/Quad QJ 3/4" Eyelet	TA885421	69	
14	Tapered Plastic Plug	9003939	292	
15	Hose Clamp 1/2"	TA800910	60	
16	Hose 3/4" Dia. (EPDM)	TA806250	310 Ft	
17	Spiral Hose Wrap, 1 3/8" Dia.	9004075	54 Ft	
18	Hose 4" Wrap	9003805	8 Ft	
20	U-Bolt (Stainless Steel) 1/4"-20UNC x 3	9005638	8	
21	Flange Nut 3/8-16UNC	9005640	4	
23	Hose Barb 3/4" Poly Tee	TA814891	8	
24	Elbow 3/4" FPT x 3/4" HB	TA809826	10	
25	Adapter 1/4" MPT x 1/4" Gauge Tube	TA720808	1	
26	Hose Barb 3/4-14MPTx3/4HS (Straight)	TA814861	2	
27	Poly Cap 3/4-14 NPTF	TA814762	2	
28	Nozzle Bracket 10 5/8"	407476B	12	
29	RH Nozzle Bracket 7 7/16"	407672B	1	
	LH Nozzle Bracket 7 7/16"	407673B		
30	U-Bolt (Stainless Steel) 3/8-16UNC x 4 x 2 3/8	9004684	2	
31	Adapter 3/4" FPT x 3/4" HB	9005650	14	
32	U-Bolt (Stainless Steel) 1/4"-20UNC x 2 3/4 x 1 13/16	9004714	4	
33	Gauge Tube 1/4" Dia.	TA720620	51 Ft	
35	Cable Ties	9000104	80	
36	Reducer Bushing 3/4-14 NPTF Male x 1/4-18 NPTF Female	TA814651	3	
37	Tee 3/4-14 NPTF Female x 3/4-14 NPTF Female Run x 3/4-14 NPTF Female Branch	TA814781	5	
38	Valve 3/4" MPT x HB	9007699	14	
39	Cap	9007767	14	
40	90° Elbow 3/4-14 NPTF Female x 3/4-14 NPTF Female	TA814791	9	

Front-Fold Booms 80' / 90' / 100' — Parts

Spray Plumbing - 90' 10-Section Boom - 20" Spacing Models 1200 / 1600 / 2400

Please visit www.unverferth.com/parts/ for the most current parts listing.

BOOM CALIBRATION

SECTION 1 - 60"

SECTION 2 - 120"

SECTION 3 - 120"

SECTION 4 - 120"

SECTION 5 - 120"

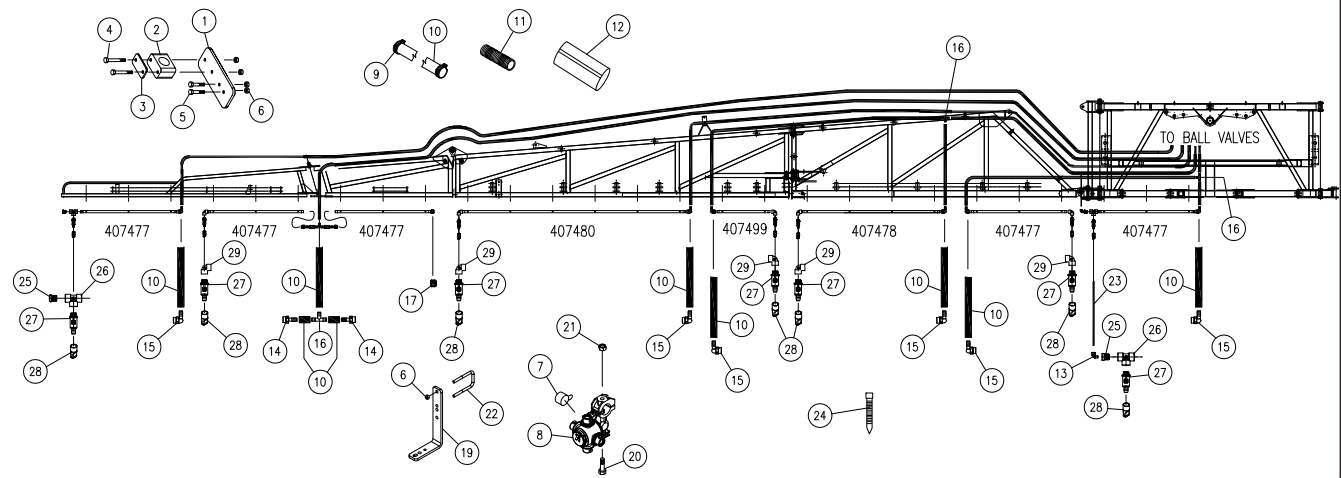
SECTION 6 - 120"

SECTION 7 - 120"

SECTION 8 - 120"

SECTION 9 - 120"

SECTION 10 - 60"



Front-Fold Booms 80' / 90' / 100' — Parts

Spray Plumbing - 90' 10-Section Boom - 20" Spacing Models 1200 / 1600 / 2400

Please visit www.unverferth.com/parts/ for the most current parts listing.

ITEM	DESCRIPTION	PART NO.	QTY	NOTES
1	Pipe Bracket	401318B	4	
2	Single Clamp Pair (Polypropylene)	9003819	24	
3	Top Plate for Single Clamp Pair	9004038	24	
4	Capscrew (Stainless Steel) 1/4"-20UNC x 2 1/2	900900-011	48	
5	Capscrew (Stainless Steel) 1/4"-20UNC x 3/4	900900-003	8	
6	Flange Nut 1/4"-20UNC	9004720	80	
7	Tapered Plastic Plug	9003939	216	
8	Nozzle/Quad QJ 3/4" Eyelet	TA885421	54	
9	Hose Clamp 1/2"	TA800910	44	
10	Hose 3/4" Dia. (EPDM)	TA806250	310 Ft	
11	Spiral Hose Wrap, 1 3/8" Dia.	9004075	72 Ft	
12	Hose 4" Wrap	9003805	8 Ft	
13	Elbow 1/4" NPT x 1/4" Gauge Tube	TA720802	1	
14	Adapter 3/4" Female x 3/4" Hose Barb	9005650	4	
15	Elbow 3/4" FPT x 3/4" HB	TA809826	12	
16	Hose Barb 3/4" Poly Tee	TA814891	6	
17	Poly Cap 3/4-14 NPTF	TA814762	2	
19	Nozzle Bracket 10 5/8"	407476B	12	
20	Capscrew (Stainless Steel) 5/16"-18UNC x 3/4	900900-028	12	
21	Flange Nut 5/16"-18UNC (Stainless Steel)	9005639	12	
22	U-Bolt (Stainless Steel) 1/4"-20UNC x 2 3/4 x 1 13/16	9004714	4	
23	Gauge Tube 1/4" Dia.	TA720620	51 Ft	
24	Cable Ties	9000104	70	
25	Reducer Bushing 3/4-14 NPTF Male x 1/4-18 NPTF Female	TA814651	3	
26	Tee 3/4-14 NPTF Female x 3/4-14 NPTF Female Run x 3/4-14 NPTF Female Branch	TA814781	3	
27	Valve 3/4" MPT x HB	9007699	14	
28	Cap	9007767	14	
29	90° Elbow 3/4-14 NPTF Female x 3/4-14 NPTF Female	TA814791	9	

Front-Fold Booms 80' / 90' / 100' — Parts

Spray Plumbing - 100' 6-Section Boom - 15" Spacing Models 1200 / 1600 / 2400

Please visit www.unverferth.com/parts/ for the most current parts listing.

BOOM CALIBRATION

SECTION 1 - 240"

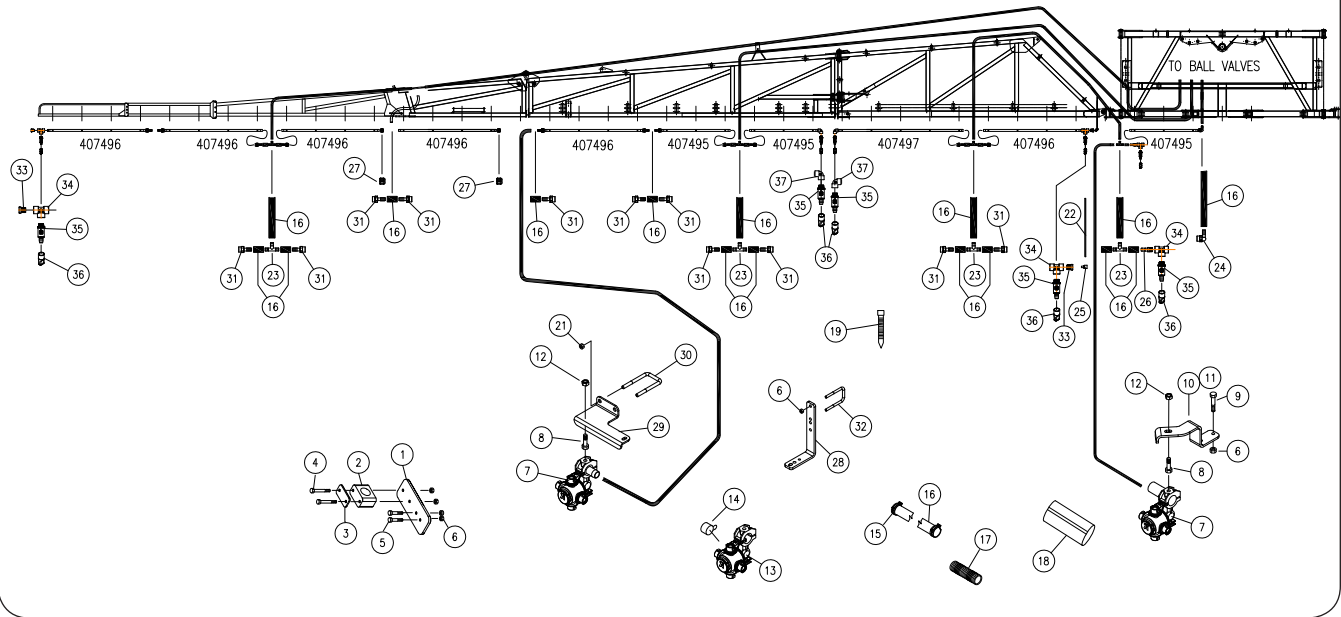
SECTION 2 - 165"

SECTION 3 - 195"

SECTION 4 - 210"

SECTION 5 - 165"

SECTION 6 - 240"



Front-Fold Booms 80' / 90' / 100' — Parts

Spray Plumbing - 100' 6-Section Boom - 15" Spacing Models 1200 / 1600 / 2400

Please visit www.unverferth.com/parts/ for the most current parts listing.

ITEM	DESCRIPTION	PART NO.	QTY	NOTES
1	Pipe Bracket	401318B	4	
2	Single Clamp Pair (Polypropylene)	9003819	24	
3	Top Plate for Single Clamp Pair	9004038	24	
4	Capscrew (Stainless Steel) 1/4"-20UNC x 2 1/2	900900-011	48	
5	Capscrew 1/4"-20UNC x 3/4 (Stainless Steel)	900900-003	8	
6	Flange Nut 1/4"-20UNC	9004720	92	
7	Nozzle/Quad QJ 3/4" Elbow	TA885401	4	
8	Capscrew (Stainless Steel) 5/16"-18UNC x 3/4	900900-028	20	
9	Capscrew (Stainless Steel) 1/4"-20UNC x 1	900900-005	4	
10	RH Nozzle Bracket Plate	403279B	1	
11	LH Nozzle Bracket Plate	403280B	1	
12	Flange Nut 5/16"-18UNC (Stainless Steel)	9005639	20	
13	Nozzle/Quad QJ 3/4" Eyelet	TA885421	77	
14	Tapered Plastic Plug	9003939	324	
15	Hose Clamp 1/2"	TA800910	64	
16	Hose 3/4" Dia. (EPDM)	TA806250	222 Ft	
17	Spiral Hose Wrap, 1 3/8" Dia.	9004075	36 Ft	
18	Hose 4" Wrap	9003805	8 Ft	
19	Cable Ties	9000104	90	
20	U-Bolt (Stainless Steel) 1/4"-20UNC x 3	9005638	8	
21	Flange Nut 3/8-16UNC	9005640	4	
22	Gauge Tube 1/4" Dia.	TA720620	51 Ft	
23	Hose Barb 3/4" Poly Tee	TA814891	8	
24	Elbow 3/4" FPT x 3/4" HB	TA809826	2	
25	Adapter 1/4" MPT x 1/4" Gauge Tube	TA720808	1	
26	Hose Barb 3/4-14MPTx3/4HS (Straight)	TA814861	2	
27	Poly Cap 3/4-14 NPTF	TA814762	2	
28	Nozzle Bracket 10 5/8"	407476B	16	
29	Nozzle Bracket RH	407672B	1	
	Nozzle Bracket LH	407673B		
30	U-Bolt (Stainless Steel) 3/8-16UNC x 4 x 2 3/8	9004684	2	
31	Adapter 3/4" FPT x 3/4" HB	9005650	26	
32	U-Bolt (Stainless Steel) 1/4"-20UNC x 3 x 2 5/16	9005638	8	
	U-Bolt (Stainless Steel) 1/4"-20UNC x 2 3/4 x 1 13/16	9004714	8	
33	Reducer Bushing 3/4-14 NPTF Male x 1/4-18 NPTF Female	TA814651	3	
34	Tee 3/4-14 NPTF Female x 3/4-14 NPTF Female Run x 3/4-14 NPTF Female Branch	TA814781	5	
35	Valve 3/4" MPT x HB	9007699	10	
36	Cap	9007767	10	
37	90° Elbow 3/4-14 NPTF Female x 3/4-14 NPTF Female	TA814791	5	

Front-Fold Booms 80' / 90' / 100' — Parts

Spray Plumbing - 100' 6-Section Boom - 20" Spacing Models 1200 / 1600 / 2400

Please visit www.unverferth.com/parts/ for the most current parts listing.

BOOM CALIBRATION

SECTION 1 - 240"

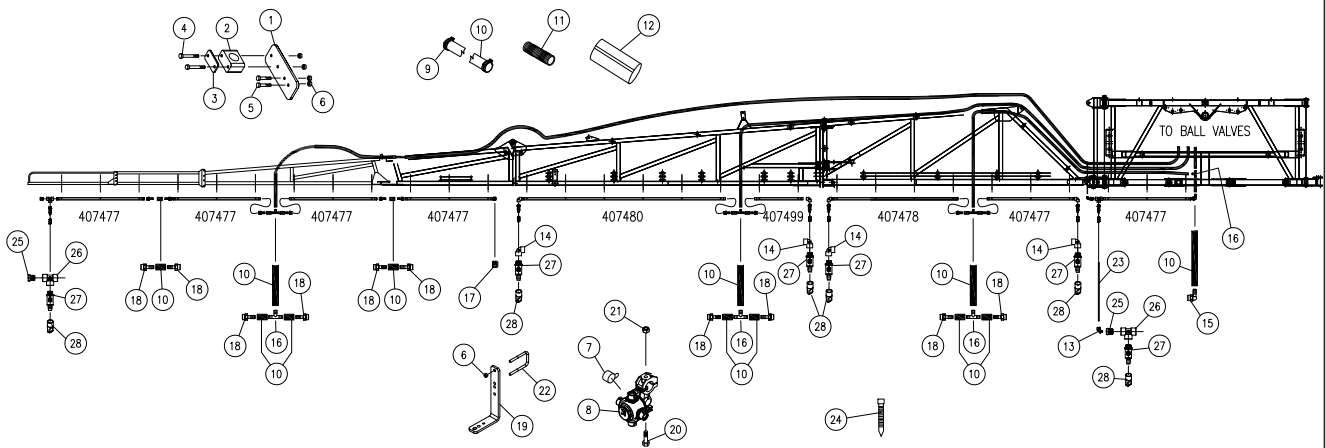
SECTION 2 - 160"

SECTION 3 - 200"

SECTION 4 - 200"

SECTION 5 - 160"

SECTION 6 - 240"



Front-Fold Booms 80' / 90' / 100' — Parts

Spray Plumbing - 100' 6-Section Boom - 20" Spacing Models 1200 / 1600 / 2400

Please visit www.unverferth.com/parts/ for the most current parts listing.

ITEM	DESCRIPTION	PART NO.	QTY	NOTES
1	Pipe Bracket	401318B	4	
2	Single Clamp Pair (Polypropylene)	9003819	24	
3	Top Plate for Single Clamp Pair	9004038	24	
4	Capscrew (Stainless Steel) 1/4"-20UNC x 2 1/2	900900-011	48	
5	Capscrew (Stainless Steel) 1/4"-20UNC x 3/4	900900-003	8	
6	Flange Nut 1/4"-20UNC	9004720	88	
7	Tapered Plastic Plug	9003939	240	
8	Nozzle/Quad QJ 3/4" Eyelet	TA885421	60	
9	Hose Clamp 1/2"	TA800910	52	
10	Hose 3/4" Dia. (EPDM)	TA806250	223 Ft	
11	Spiral Hose Wrap, 1 3/8" Dia.	9004075	36 Ft	
12	Hose 4" Wrap	9003805	8 Ft	
13	Elbow 1/4" NPT x 1/4" Gauge Tube	TA720802	1	
14	90° Elbow 3/4-14 NPTF Female x 3/4-14 NPTF Female	TA814791	9	
15	Elbow 3/4" FPT x 3/4" HB	TA809826	2	
16	Hose Barb 3/4" Poly Tee	TA814891	8	
17	Poly Cap 3/4-14 NPTF	TA814762	2	
18	Adapter 3/4" FPT x 3/4" HB	9005650	20	
19	Nozzle Bracket 10 5/8"	407476B	16	
20	Capscrew (Stainless Steel) 5/16"-18UNC x 3/4	900900-028	16	
21	Flange Nut 5/16"-18UNC (Stainless Steel)	9005639	16	
22	U-Bolt (Stainless Steel) 1/4"-20UNC x 3 x 2 5/16	9005638	8	
	U-Bolt (Stainless Steel) 1/4"-20UNC x 2 3/4 x 1 13/16	9004714	8	
23	Gauge Tube 1/4" Dia.	TA720620	51 Ft	
24	Cable Ties	9000104	80	
25	Reducer Bushing 3/4-14 NPTF Male x 1/4-18 NPTF Female	TA814651	3	
26	Tee 3/4-14 NPTF Female x 3/4-14 NPTF Female Run x 3/4-14 NPTF Female Branch	TA814781	3	
27	Valve 3/4" MPT x HB	9007699	12	
28	Cap	9007767	12	

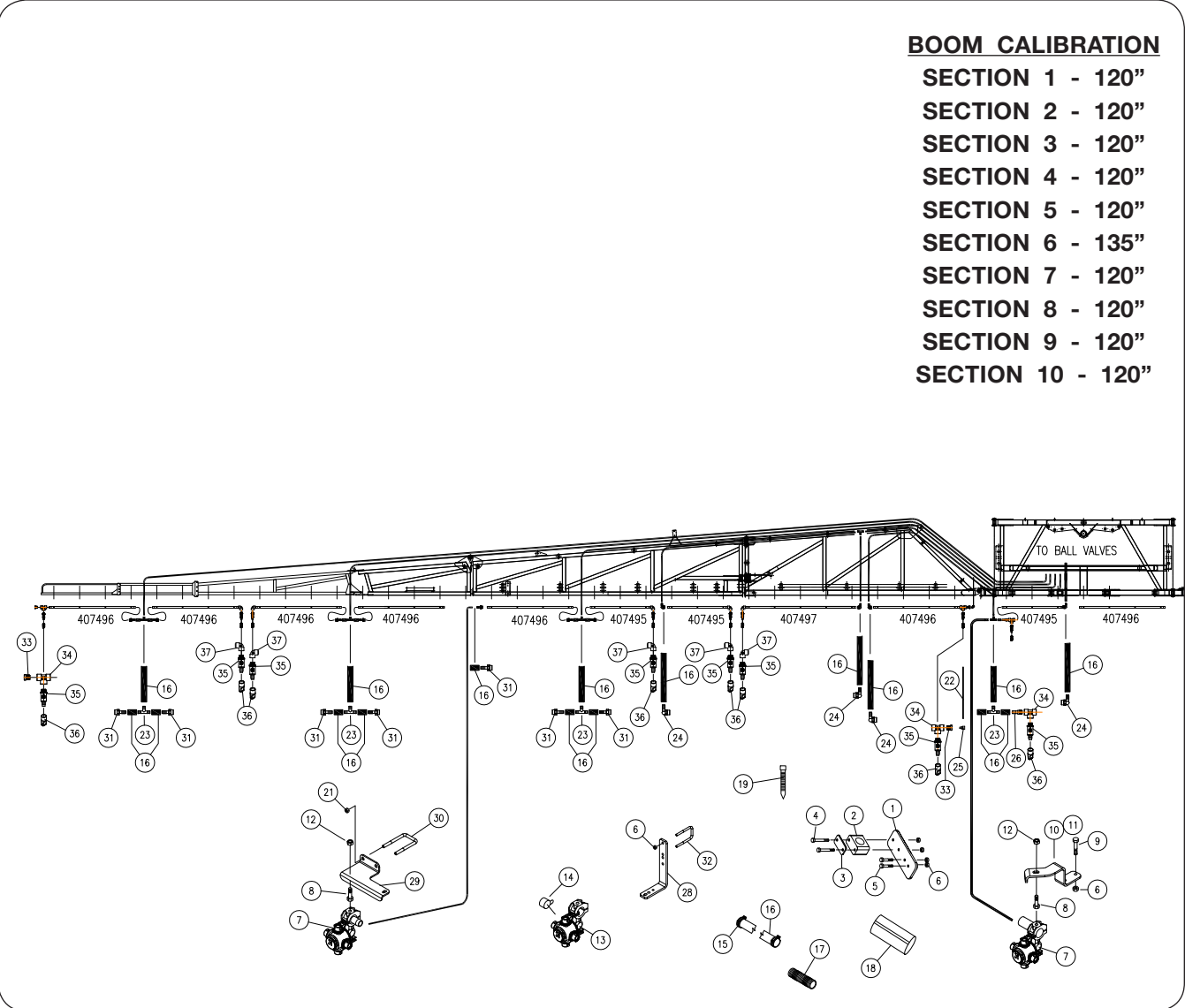
Front-Fold Booms 80' / 90' / 100' — Parts

Spray Plumbing - 100' 10-Section Boom - 15" Spacing Models 1200 / 1600

Please visit www.unverferth.com/parts/ for the most current parts listing.

BOOM CALIBRATION

- SECTION 1 - 120"
- SECTION 2 - 120"
- SECTION 3 - 120"
- SECTION 4 - 120"
- SECTION 5 - 120"
- SECTION 6 - 135"
- SECTION 7 - 120"
- SECTION 8 - 120"
- SECTION 9 - 120"
- SECTION 10 - 120"



Front-Fold Booms 80' / 90' / 100' — Parts

Spray Plumbing - 100' 10-Section Boom - 15" Spacing Models 1200 / 1600

Please visit www.unverferth.com/parts/ for the most current parts listing.

ITEM	DESCRIPTION	PART NO.	QTY	NOTES
1	Pipe Bracket	401318B	4	
2	Single Clamp Pair (Polypropylene)	9003819	24	
3	Top Plate for Single Clamp Pair	9004038	24	
4	Capscrew (Stainless Steel) 1/4"-20UNC x 2 1/2	900900-011	48	
5	Capscrew 1/4"-20UNC x 3/4 (Stainless Steel)	900900-003	8	
6	Flange Nut 1/4"-20UNC	9004720	92	
7	Nozzle/Quad QJ 3/4" Elbow	TA885401	4	
8	Capscrew (Stainless Steel) 5/16"-18UNC x 3/4	900900-028	20	
9	Capscrew (Stainless Steel) 1/4"-20UNC x 1	900900-005	4	
10	RH Nozzle Bracket Plate	403279B	1	
11	LH Nozzle Bracket Plate	403280B	1	
12	Flange Nut 5/16"-18UNC (Stainless Steel)	9005639	20	
13	Nozzle/Quad QJ 3/4" Eyelet	TA885421	77	
14	Tapered Plastic Plug	9003939	324	
15	Hose Clamp 1/2"	TA800910	68	
16	Hose 3/4" Dia. (EPDM)	TA806250	312 Ft	
17	Spiral Hose Wrap, 1 3/8" Dia.	9004075	54 Ft	
18	Hose 4" Wrap	9003805	8 Ft	
19	Cable Ties	9000104	90	
20	U-Bolt (Stainless Steel) 1/4"-20UNC x 3	9005638	8	
21	Flange Nut 3/8-16UNC	9005640	4	
22	Gauge Tube 1/4" Dia.	TA720620	51 Ft	
23	Hose Barb 3/4" Poly Tee	TA814891	10	
24	Elbow 3/4" FPT x 3/4" HB	TA809826	8	
25	Adapter 1/4" MPT x 1/4" Gauge Tube	TA720808	1	
26	Hose Barb 3/4-14MPTx3/4HS (Straight)	TA814861	2	
27	Poly Cap 3/4-14 NPTF	TA814762	2	
28	Nozzle Bracket 10 5/8"	407476B	16	
29	RH Nozzle Bracket 7 7/16"	407672B	1	
	LH Nozzle Bracket 7 7/16"	407673B		
30	U-Bolt (Stainless Steel) 3/8-16UNC x 4 x 2 3/8	9004684	2	
31	Adapter 3/4" FPT x 3/4" HB	9005650	16	
32	U-Bolt (Stainless Steel) 1/4"-20UNC x 3 x 2 5/16	9005638	8	
	U-Bolt (Stainless Steel) 1/4"-20UNC x 2 3/4 x 1 13/16	9004714	8	
33	Reducer Bushing 3/4-14 NPTF Male x 1/4-18 NPTF Female	TA814651	3	
34	Tee 3/4-14 NPTF Female x 3/4-14 NPTF Female Run x 3/4-14 NPTF Female Branch	TA814781	5	
35	Valve 3/4" MPT x HB	9007699	16	
36	Cap	9007767	16	
37	90° Elbow 3/4-14 NPTF Female x 3/4-14 NPTF Female	TA814791	11	

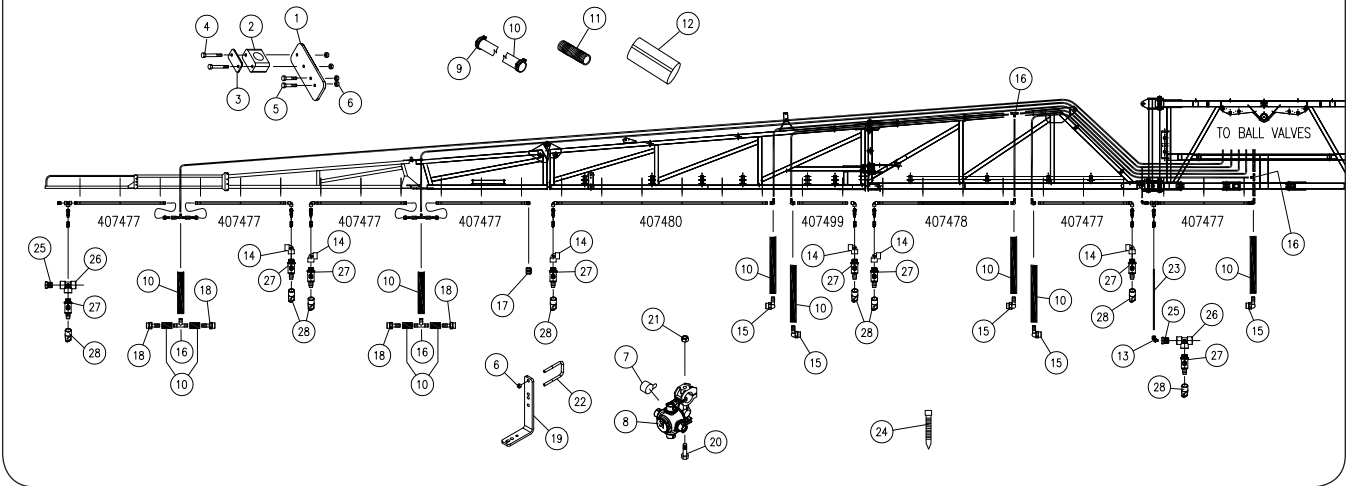
Front-Fold Booms 80' / 90' / 100' — Parts

Spray Plumbing - 100' 10-Section Boom - 20" Spacing Models 1200 / 1600

Please visit www.unverferth.com/parts/ for the most current parts listing.

BOOM CALIBRATION

- SECTION 1 - 120"
- SECTION 2 - 120"
- SECTION 3 - 120"
- SECTION 4 - 120"
- SECTION 5 - 120"
- SECTION 6 - 120"
- SECTION 7 - 120"
- SECTION 8 - 120"
- SECTION 9 - 120"
- SECTION 10 - 120"



Front-Fold Booms 80' / 90' / 100' — Parts

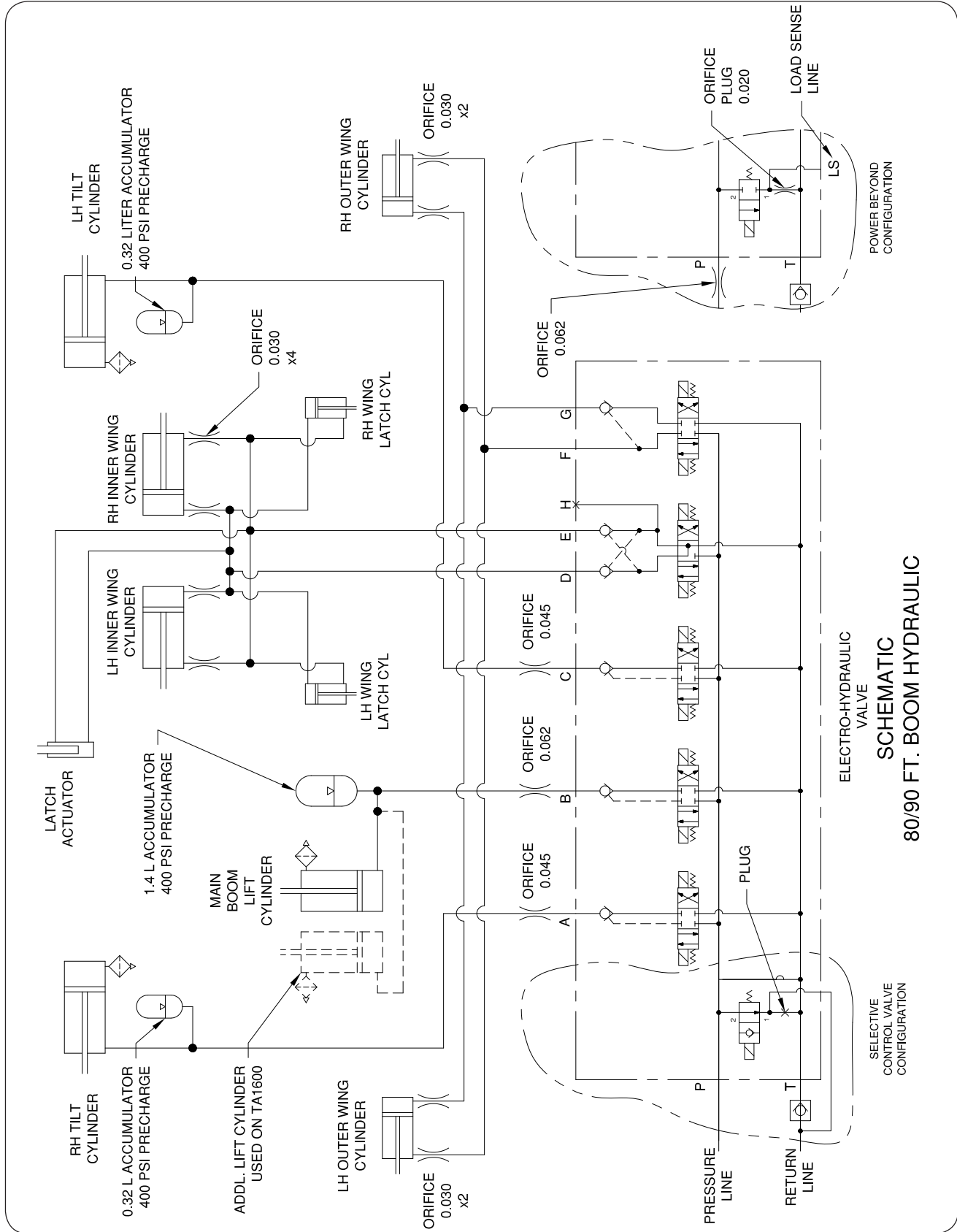
Spray Plumbing - 100' 10-Section Boom - 20" Spacing Models 1200 / 1600

Please visit www.unverferth.com/parts/ for the most current parts listing.

ITEM	DESCRIPTION	PART NO.	QTY	NOTES
1	Pipe Bracket	401318B	4	
2	Single Clamp Pair (Polypropylene)	9003819	24	
3	Top Plate for Single Clamp Pair	9004038	24	
4	Capscrew (Stainless Steel) 1/4"-20UNC x 2 1/2	900900-011	48	
5	Capscrew (Stainless Steel) 1/4"-20UNC x 3/4	900900-003	8	
6	Flange Nut 1/4"-20UNC	9004720	88	
7	Tapered Plastic Plug	9003939	240	
8	Nozzle/Quad QJ 3/4" Eyelet	TA885421	60	
9	Hose Clamp 1/2"	TA800910	52	
10	Hose 3/4" Dia. (EPDM)	TA806250	315 Ft	
11	Spiral Hose Wrap, 1 3/8" Dia.	9004075	72 Ft	
12	Hose 4" Wrap	9003805	8 Ft	
13	Elbow 1/4" NPT x 1/4" Gauge Tube	TA720802	1	
14	90° Elbow 3/4-14 NPTF Female x 3/4-14 NPTF Female	TA814791	13	
15	Elbow 3/4" FPT x 3/4" HB	TA809826	10	
16	Hose Barb 3/4" Poly Tee	TA814891	6	
17	Poly Cap 3/4-14 NPTF	TA814762	2	
18	Adapter 3/4" FPT x 3/4" HB	9005650	8	
19	Nozzle Bracket 10 5/8"	407476B	16	
20	Capscrew (Stainless Steel) 5/16"-18UNC x 3/4	900900-028	16	
21	Flange Nut 5/16"-18UNC (Stainless Steel)	9005639	16	
22	U-Bolt (Stainless Steel) 1/4"-20UNC x 3 x 2 5/16	9005638	8	
	U-Bolt (Stainless Steel) 1/4"-20UNC x 2 3/4 x 1 13/16	9004714	8	
23	Gauge Tube 1/4" Dia.	TA720620	51 Ft	
24	Cable Ties	9000104	80	
25	Reducer Bushing 3/4-14 NPTF Male x 1/4-18 NPTF Female	TA814651	3	
26	Tee 3/4-14 NPTF Female x 3/4-14 NPTF Female Run x 3/4-14 NPTF Female Branch	TA814781	3	
27	Valve 3/4" MPT x HB	9007699	16	
28	Cap	9007767	16	

Hydraulic Schematic

Please visit www.unverferth.com/parts/ for the most current parts listing.



80/90 FT. BOOM HYDRAULIC SCHEMATIC

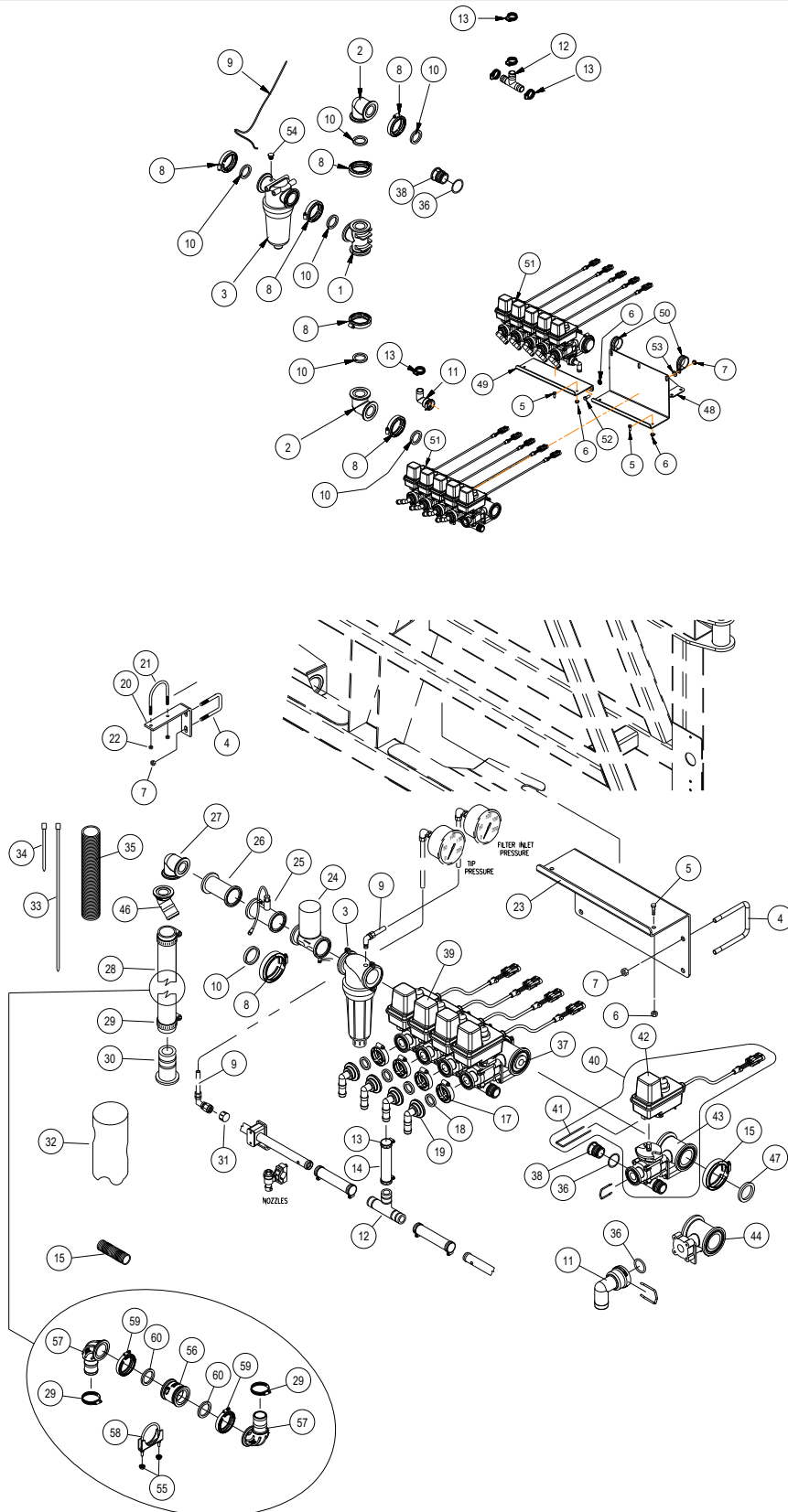
Notes

Please visit www.unverferth.com/parts/ for the most current parts listing.

Front-Fold Booms 80' / 90' / 100' — Parts

Spray Control System

Please visit www.unverferth.com/parts/ for the most current parts listing.



Front-Fold Booms 80' / 90' / 100' — Parts

Spray Control System

Please visit www.unverferth.com/parts/ for the most current parts listing.

ITEM	DESCRIPTION	PART NO.	QTY	NOTES
1	Tee 2" Flange x 2" Flange x 2" Flange	TA815007	1	
2	90° Elbow 2" Flange x 2" Flange	TA816017	2	
3	Strainer, 2" Flange	402255	1	
4	U-Bolt, 3/8-16UNC x 2 7/8 x 2 3/8	9004688	3	
5	Capscrew, 5/16"-18UNC x 3/4	900900-028	2	
6	Flange Nut 5/16"-18UNC	9005639	8	
7	Flange Nut 3/8-16UNC	9005640	6	
8	Clamp, 2" Worm Screw	TA815025	AR	
9	Gauge Tube, 1/4"	TA720620	AR	Specify Length (Feet)
10	Gasket, EPDM - 2" Flange	TA811944	AR	
11	90° Elbow 3/4" Hose Barb x Quick Connect	TA854885	1	6 Section
			2	10 Section
12	Hose Barb Tee 3/4"	TA814891	AR	
13	Hose Clamp for 3/4" Hoses	TA800910	AR	
14	Hose, EPDM - 3/4"	TA806250	AR	Specify Length (Feet)
15	Helical Hose Wrap for 3/4" Hose	9004075	AR	Specify Length (Feet)
16	Decal, Flo-Bak Ball Valve	9004820	1	NOT SHOWN
17	Clamp, 1" Worm Screw	TA815026	AR	
18	Gasket, EPDM - 1" Flange	TA815029	AR	
19	Elbow, 1" Flange x 3/4" HB 90°	TA815017	AR	
20	Plumbing Bracket Plate	409305B	1	
21	U-Bolt, 1/4-20 x 3.5 x 2.87cc	9004681	1	
22	Nut, 1/4"-20UNC	9004720	2	
23	Plate, Manifold - 6 Section Valve	407121B	1	
24	Regulating Valve, 1 1/2"	TA720260	1	Not Used With PWM Pumps
	Regulating Valve, 1"	TA720258	1	
25	Flowmeter, RFM 60P	TA720365	1	
26	Coupling, 2" Flange x 2" Flange	TA815003	1	
27	Elbow, 2" Flange x 2" Flange	TA816017	1	
28	Hose, EPDM - 2"	TA806328	AR	Specify Length (Feet)
29	Clamp, 2" Worm Screw	TA800922	AR	
30	Coupling, 2" Flange x 2" HB Straight	TA815016	1	
31	Pipe Cap, 3/4 FPT x 1/4 FPT	407503	1	
32	Hose Wrap - 4"	9003805	AR	Specify Length (Feet)
33	Cable Tie, 21 1/2	9000104	AR	Use as required
34	Cable Tie, 6"	9000106	AR	Use as required
35	Helical Hose Wrap for 2" Hose	9004130	AR	Specify Length (Feet)
36	O-Ring	TA854887	AR	
37	2" Flange Plug	TA815023	1	
38	Quick Connect Plug Kit	TA854884	2/1	Includes Items 36, 40

(Continued on next page)

Front-Fold Booms 80' / 90' / 100' — Parts

Spray Control System (continued)

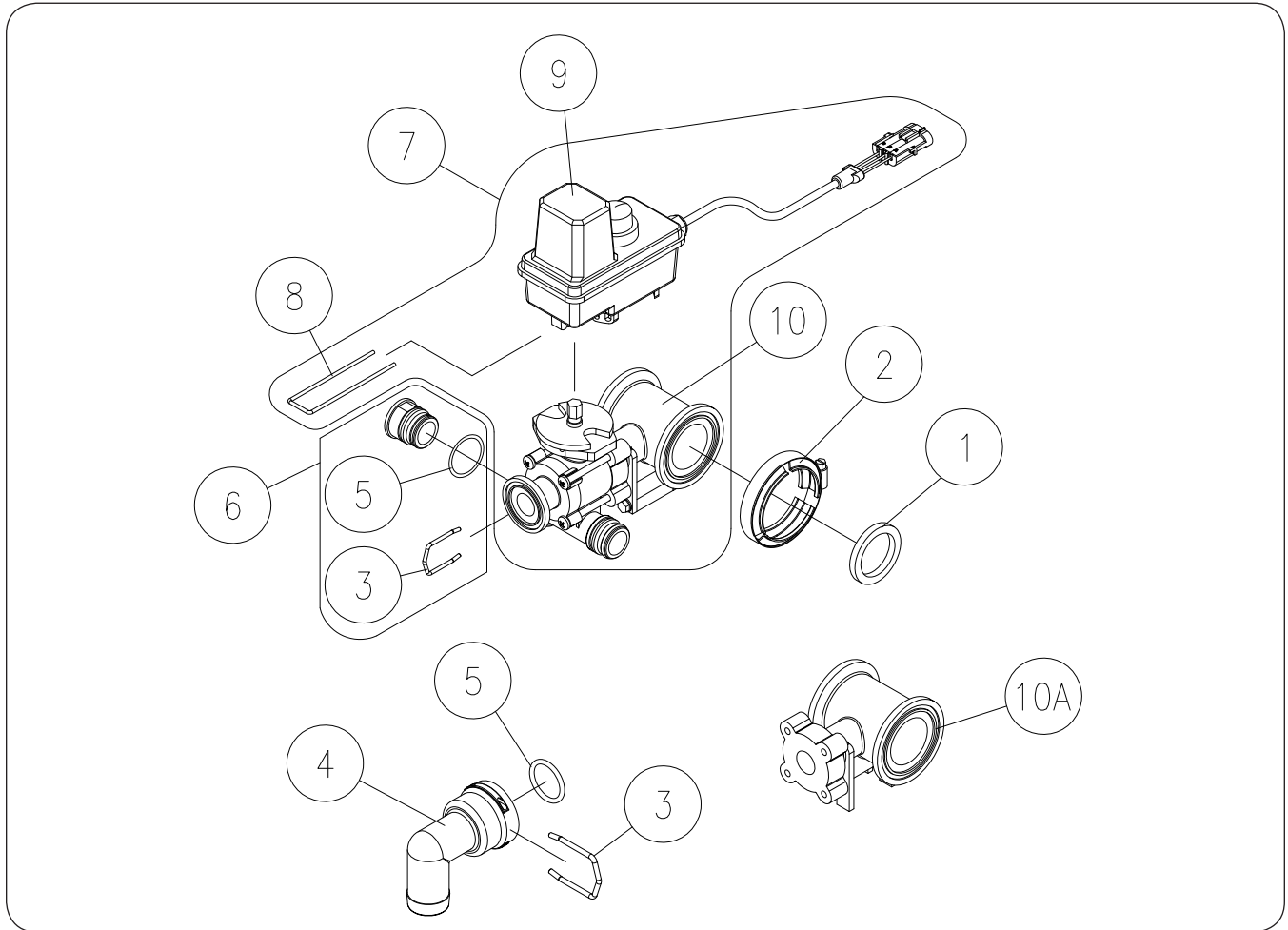
Please visit www.unverferth.com/parts/ for the most current parts listing.

ITEM	DESCRIPTION	PART NO.	QTY	NOTES
39	Ball Valve Flange Asy, 4-Section	9006628	1	
	Ball Valve Flange Asy, 5-Section	9006801	1	
	Ball Valve Flange Asy, 6-Section	9006629	1	
40	450 FLO-BAK Ball Valve	TA854881	AR	Includes Items 46, 47, 48
41	Retainer Clip	TA854875	AR	
42	Ball Valve Motor Head	TA854874	AR	
43	450 FLO-BAK Ball Valve	TA854882	AR	Less Motor (Valve Only)
44	Narrow Tee Body Ball Valve, Poly Fitting	9007368	AR	Replacement Only
45	Capscrew 5/16"-18UNC x 1	900900-030	8	Stainless Steel
46	45° Elbow, 2" Flange x 2" Hose Barb	9005587	1	
47	O-Ring	9006626	AR	
48	Manifold Bracket Weldment =Black=	409301B	1	
49	Manifold Plate Bracket =Black=	409307B	1	
50	Metal Cable Clamp	9006213	2	
51	Valve Assembly	9006801	2	Includes Item 4, 15, 51, 57
52	Capscrew, 3/8-16UNC x 1 (SS)	900900-055	3	
53	Flat Washer, 3/8 USS (SS)	900902-038	3	
54	1/4" Hex Plug	TA809875	1	
55	Flange Nut, 5/16-18 (SS)	9005639	2	
56	2" FP Swivel	9006961	1	
57	90° Elbow, 2" FP Flange x 2" Hose Barb	9006966	2	
58	5/16" U-Bolt & Saddle Assembly	9006967	1	
59	Flange Clamp, 2" FP	TA816000	2	
60	Flange Gasket, 2" FP	TA816001	2	

Front-Fold Booms 80' / 90' / 100' — Parts

Ball Valve Manifold - Model 450 FLO-BAK™ Valve

Please visit www.unverferth.com/parts/ for the most current parts listing.

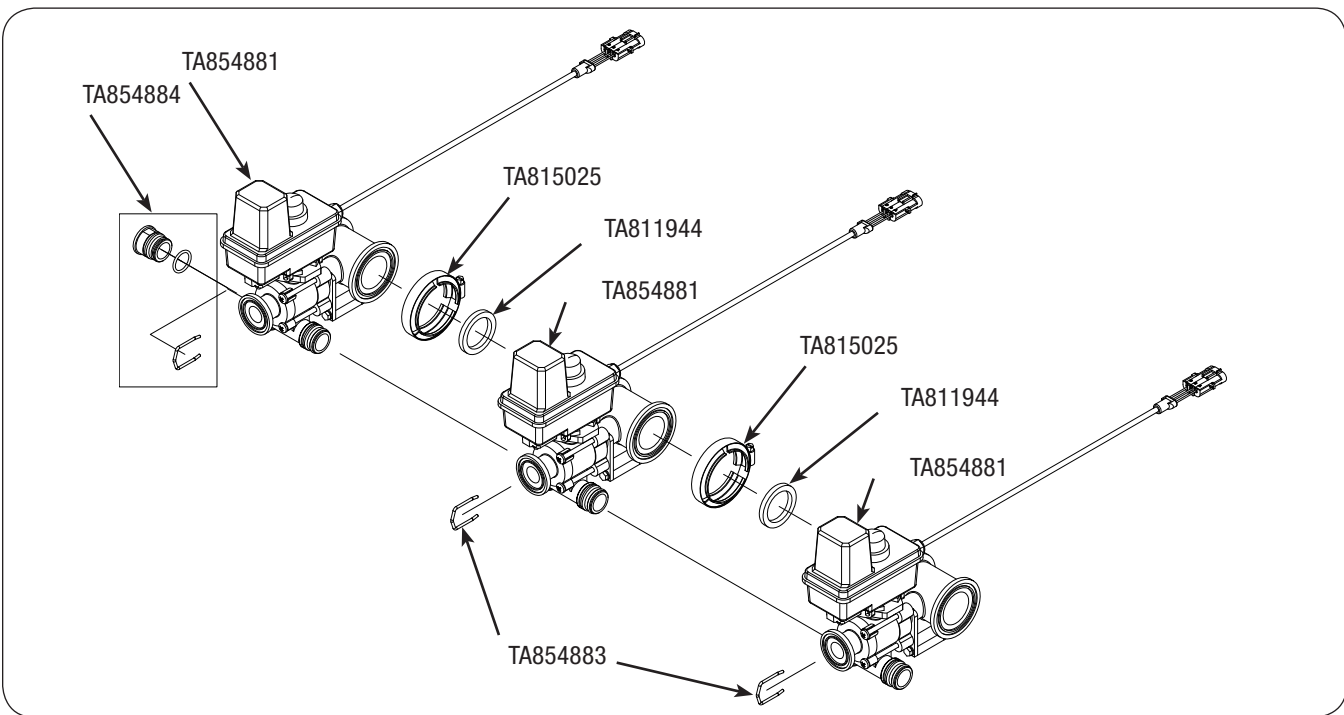


ITEM	DESCRIPTION	PART NO.	QTY	NOTES
1	Gasket, EPDM - 2" Flange	TA811944	A/R	
2	Clamp, 2" Worm Screw	TA815025	A/R	
3	Wire Clip Retainer	TA854883	A/R	
4	3/4" Hose Barb Elbow	TA854885	1	
5	O-Ring	TA854887	A/R	
6	Quick Connect Plug Kit	TA854884	1	Includes Items 3, 5
7	450 FLO-BAK Ball Valve	TA854881	A/R	Includes Items 8, 9, 10
8	Retainer Clip	TA854875	A/R	
9	Ball Valve Motor Head	TA854874	A/R	
10	450 FLO-BAK Ball Valve - Less Motor (Valve Only)	TA854882	A/R	
10A	Narrow Tee Body Ball Valve, Poly Fitting	9007368	A/R	Replacement Only

Front-Fold Booms 80' / 90' / 100' — Parts

FLO-BAK™ Ball Valve Manifold - Model 450

Please visit www.unverferth.com/parts/ for the most current parts listing.



Front-Fold Booms 80' / 90' / 100' — Parts

FLO-BAK™ Ball Valve Manifold - Model 450

Please visit www.unverferth.com/parts/ for the most current parts listing.

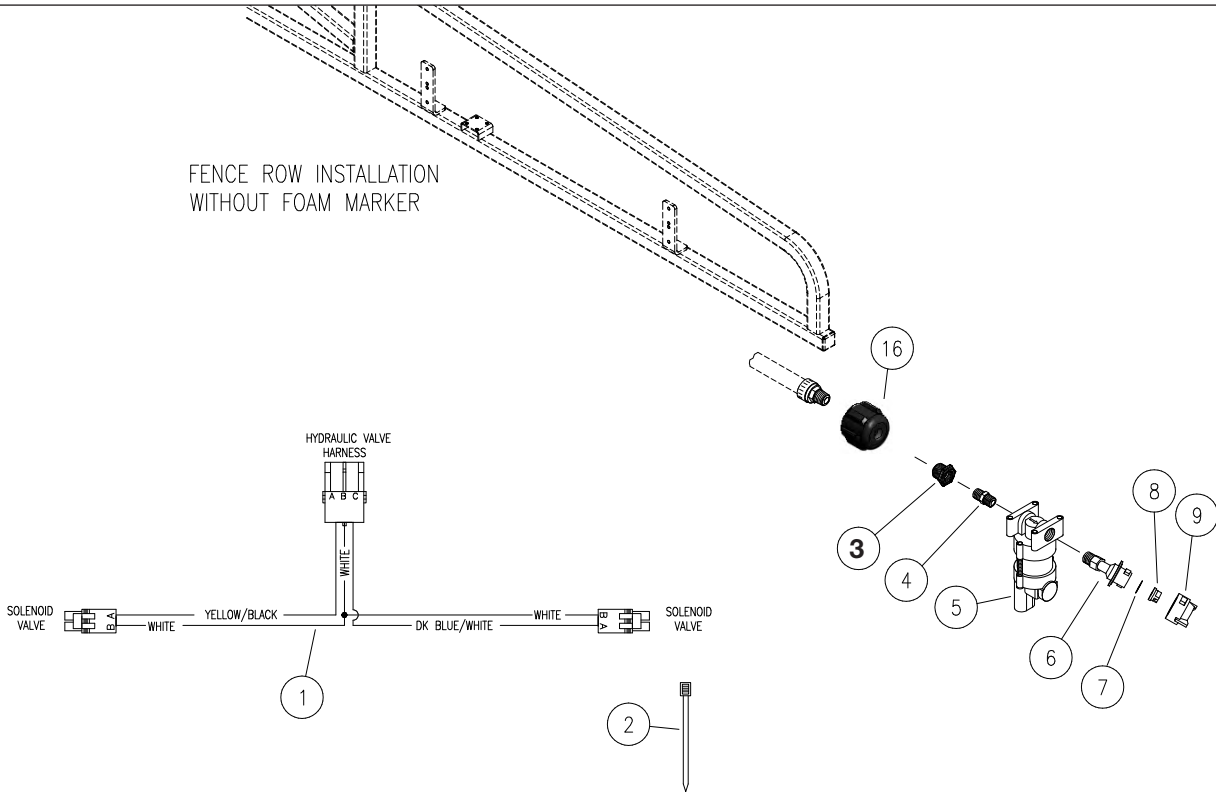
ITEM	DESCRIPTION	PART NO.	QTY NUMBER OF SECTIONS	
			6	10
1	Strainer - 2" Flanged Line	402255	1	2
2	U-Bolt 3/8-16UNC (Stainless Steel)	9004688	3	6
3	U-Bolt 1/4"-20UNC (Stainless Steel)	9004681	1	2
4	Flange Nut 1/4"-20UNC (Stainless Steel)	9004720	2	4
5	Decal, Flo-Bak Ball Valve	9004820	1	2
6	Capscrew 5/16"-18UNC x 3/4 (Stainless Steel)	900900-028	2	4
7	Hex Nut 5/16"-18UNC (Stainless Steel)	900901-004	2	4
8	Hex Nut 3/8-16UNC (Stainless Steel)	900901-006	6	12
9	Flat Washer 3/8 (Stainless Steel)	900902-038	2	4
10	Lock Washer 5/16 (Stainless Steel)	900903-019	2	4
11	Lock Washer 3/8 (Stainless Steel)	900903-021	6	12
12	1/4" Gauge Tubing	TA720620	A/R	A/R
13	Elbow 1/4" MPT x 1/4" Gauge Tube	TA720802	1	2
14	Hose Clamp SC-12 (Stainless Steel)	TA800910	2	4
15	Hose Clamp SC-36 (Stainless Steel)	TA800922	2	4
16	Tank Fitting 3/4" Double Threaded	TA805408	1	2
17	Hose EPDM 3/4" Dia.	TA806250	A/R	A/R
18	Gasket 2 3/16" OD x 1 5/8" ID (#150G)	TA811944	A/R	A/R
19	90° Elbow Hose Barb 3/4-14 NPTF Male x 3/4 Hose Shank	TA814961	1	2
20	Coupling Poly 2" Flange x 2" Flange	TA815003	1	2
21	Hose Barb Quick Connect Kit (Includes Items 30 & 31)	TA854885	1	2
22	90° Elbow Poly 1" Flange x 3/4" Hose Barb	TA815017	6	10
23	Plug 2" Flange	TA815023	2	4
24	Flange Clamp 2" w/Worm Screw Clamp	TA815025	3	6
25	Flange Clamp 1" w/Worm Screw Clamp	TA815026	6	10
26	Gasket/Seal 1" EPDM	TA815029	A/R	A/R
27	Ball Valve, 450 Flo-Bak (Single Manifold)	TA854881	6	10
28	Spiral Hose Wrap	9004075	A/R	A/R
29	Decal, Sprayer Operation	9004874	1	2
30	Wire Clip Retainer	TA854883	2	4
31	O-Ring	TA854887	2	4
32	Plug, Quick Connect Kit (Includes Items 30 & 31)	TA854884	1	2

Front-Fold Booms 80' / 90' / 100' — Parts

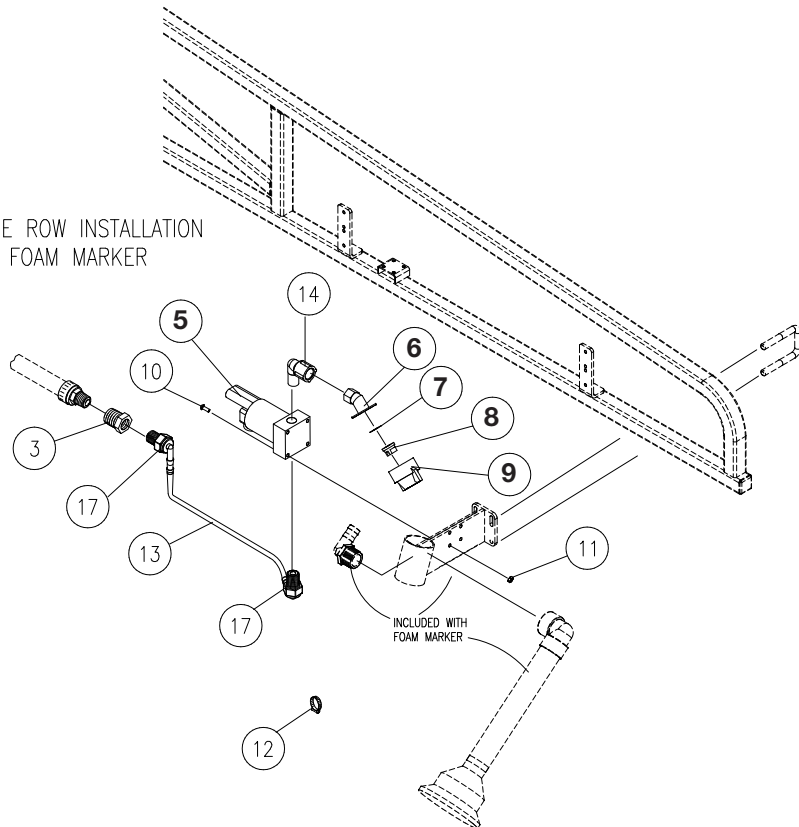
Electric Fence Row Nozzle Kit (Optional)

Please visit www.unverferth.com/parts/ for the most current parts listing.

FENCE ROW INSTALLATION
WITHOUT FOAM MARKER



FENCE ROW INSTALLATION
WITH FOAM MARKER



Front-Fold Booms 80' / 90' / 100' — Parts

Electric Fence Row Nozzle Kit (Optional)

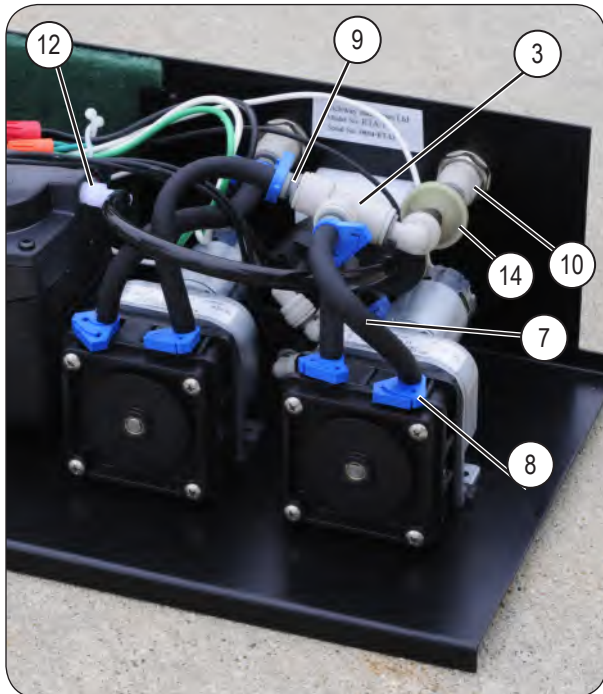
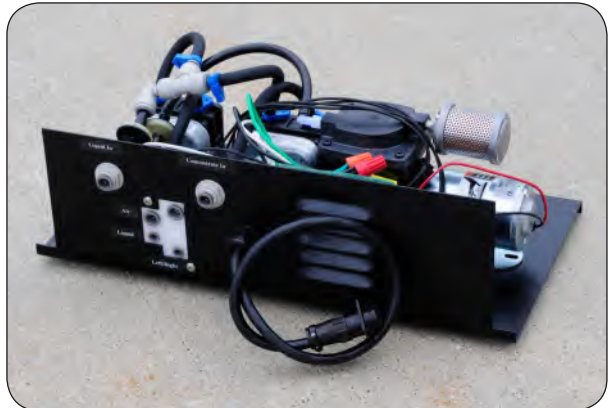
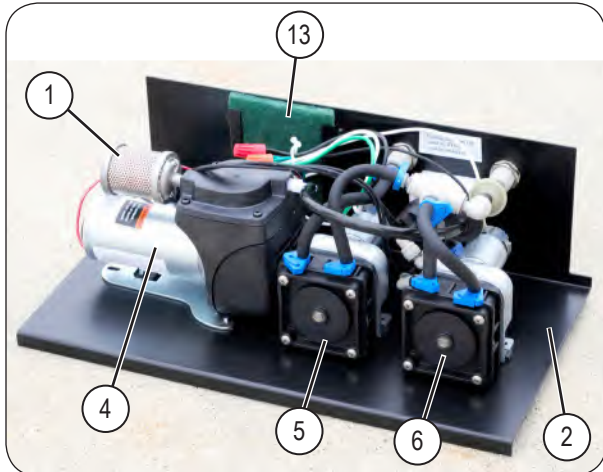
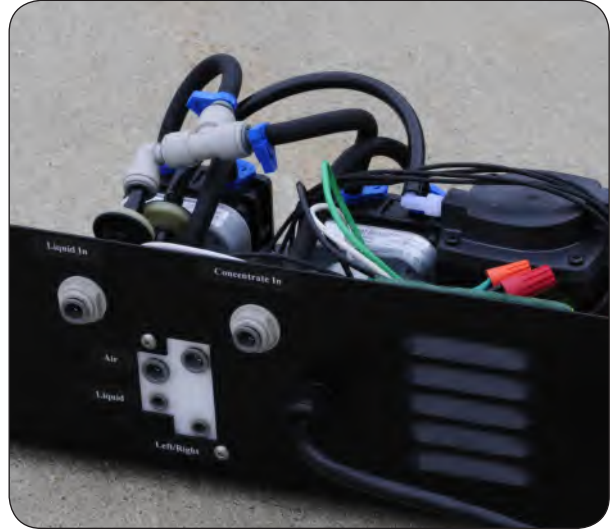
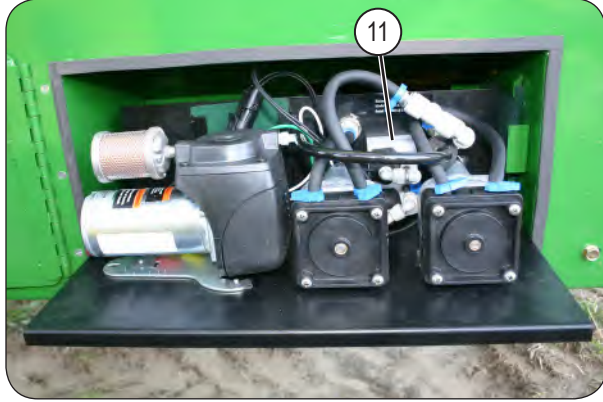
Please visit www.unverferth.com/parts/ for the most current parts listing.

ITEM	DESCRIPTION	PART NO.	QTY.	NOTES
	Fence Row Nozzle Kit	402584	1	For 80/90' Booms
		403712		For 100' Booms
1	Harness, Fence Row	9004010	1	For 80/90' Booms
		9004471		For 100' Booms
2	Tie Strap, 15 1/2"	9000107	60	
3	Reducing Bushing, 3/8 - 1/4"	9004372	2	Note: Bushing not required if item #4 (pipe nipple) threads directly into the wet boom pipe female fitting.
4	Pipe Nipple, 1/4" Brass	9004011	2	
5	Solenoid Valve - 2-way, 2-position	9004012	2	
6	Spray Tip Adapter, 45-degrees	TA880276	2	
7	Spray Tip Seal Gasket	TA881100	2	
8	Offset Spray Tip	TA847211	2	
9	Spray Tip Cap	TA881010	2	
10	Pan Head, #6-32UNC x 1 1/4	903172-098	8	
11	Hex Nut, #6-32 G2	9830-013	8	
12	Hose Clamp	TA801065	4	
13	Hose	TA806195	2	
14	90-degree Elbow	TA809523	2	
16	Threaded Cap	407503	2	
17	Elbow 90-degree Brass	TA816043	4	

Front-Fold Booms 80' / 90' / 100' — Parts

Foam Marker Components (Optional)

Please visit www.unverferth.com/parts/ for the most current parts listing.



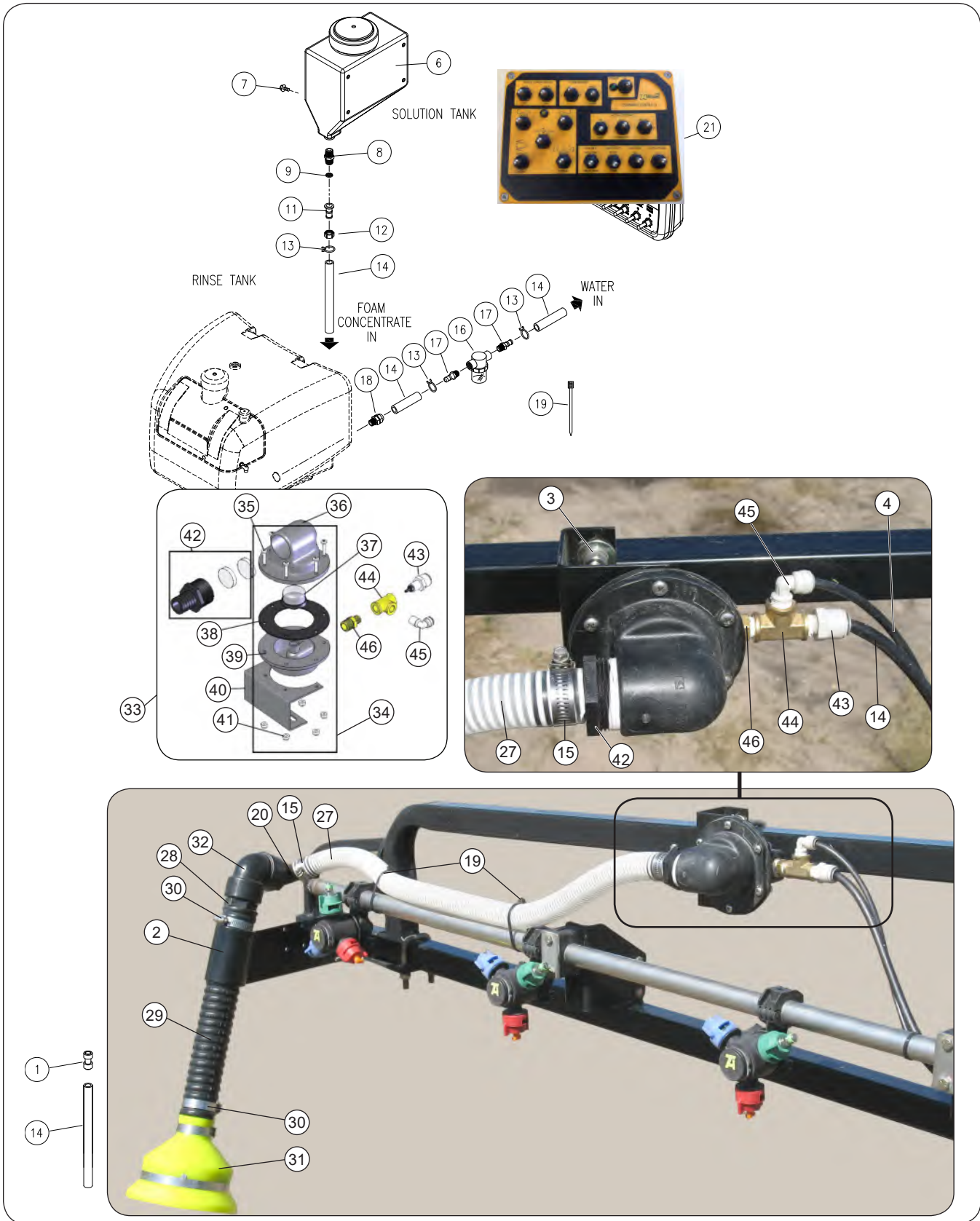
Foam Marker Components (Optional)

Please visit www.unverferth.com/parts/ for the most current parts listing.

ITEM	DESCRIPTION	PART NO.	QTY.	NOTES
1	Air Filter	TA750020	1	
2	Tray Weldment	9005229	1	
3	Tee 3/8 Push Lock	9005204	1	
4	Compressor	TA750019	1	
5	Concentrate Pump	9005227	1	
6	Water Pump	9005226	1	
7	Pump Tube	TA750311	1	
8	Speed Clamp	TA801906	2	
9	Stem 1/4 HB x 3/8	9005224	2	
10	Bulkhead 3/8	9003944	2	
11	Control Module w/ Solenoids	9005223	1	
12	90° Elbow 1/8 M x 1/4 Hose Barb	TA808024	1	
13	Louver Filter	TA816029	1	
14	In-Line Check Valve	9006313	2	

Foam Marker Assembly (Optional)

Please visit www.unverferth.com/parts/ for the most current parts listing.



Front-Fold Booms 80' / 90' / 100' — Parts

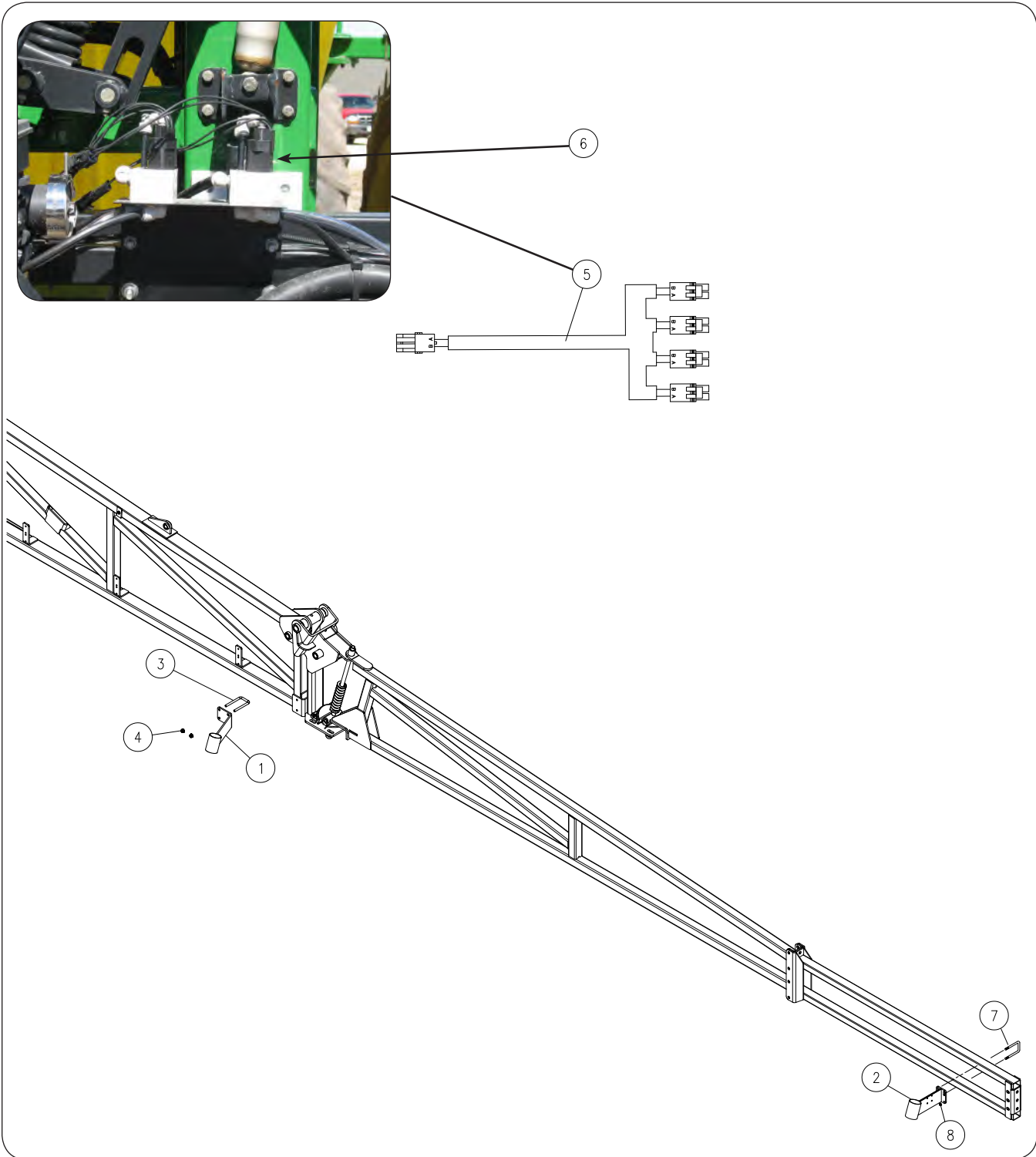
Foam Marker Assembly (Optional)

Please visit www.unverferth.com/parts/ for the most current parts listing.

ITEM	DESCRIPTION	PART NO.	QTY.	NOTES
1	Union 1/4" Hose Push-to-Connect Style	TA750289	4	
2	Foamer Bracket	405823B	2/4	
3	U-Bolt, 3/8-16UNC for 1 1/2" Tube	9004685	4	Stainless Steel
	U-Bolt, 3/8-16UNC for 2" Tube	9004688		
	Flat Washer, 3/8	900902-038	8	
	Flange Nut, 3/8-16UNC	9005640	8	
4	Gauge Tubing 1/4"	TA720620	A/R	
6	Tank, Solution =Yellow=	9003759	1	
	Tank, Solution =Grey=	9004816		
7	Screw/Large Flange 5/16"-18UNC x 3/4 Grade 5	91256	4	
8	Close Nipple, 3/4"	TA809400	1	
9	Washer/Strainer	9005604	1	
11	Hose Barb, 1/4" Flat Seat	TA809750	1	
12	Hex Nut, 3/4" FPT	TA809160	1	
13	Squeeze Clamp	TA750219	3	
14	Black 3/8" Tubing	TA750051	A/R	
15	Hose Clamp, SC-20	TA800914	4	Stainless Steel
16	Strainer 80 Mesh Line	TA813070	1	
17	Adapter, 1/2 NPT x 1/4 Hose Barb	TA810180	2	
18	Quick Coupler, 1/4 MPT x 3/8	TA750120	1	
19	Tie Strap, 12"	9000107	A/R	
20	90° Elbow, Poly	TA814971	2	
21	Control Box Command Center IV	9007776	1	
25	Flange Nut 1/4"-20UNC	9004720	8	Stainless Steel
27	Hose 1" Foam	TA750034	A/R	
28	Adapter, 1 1/4 NPTF Male x 1 1/2 Hose Barb	TA814869	2	
29	Hose 1 1/2 Collector	TA816044	2	
30	Hose Clamp, SC-32	TA800920	4	Stainless Steel
31	Collector Head, 1 1/2"	TA750062	2	
32	90° Elbow, 1 1/4 NPTF Female	TA814793	2	
33	Foamhead Assembly	9005220	1	
34	Foam Assembly	9005221	1	
35	Screw	9005209	5	
36	Top Housing	9005210	1	
37	3/8 Screen	9005211	1	
38	Gasket	9005212	1	
39	Bottom Housing	9005213	1	
40	Mounting Bracket	9005214	1	
41	Nut	9005215	5	
42	Homogenizer Nipple	9005208	1	
43	Venturi 1/4m x 3/8t	9005216	1	
44	Tee 1/4f	9005217	1	
45	90° Elbow 1/4m x 1/4t	9005218	1	
46	Adapter, 1/4m x 3/8m	9005219	1	

Double Drop Foam Marker Components

Please visit www.unverferth.com/parts/ for the most current parts listing.



Double Drop Foam Marker Components

Please visit www.unverferth.com/parts/ for the most current parts listing.

ITEM	DESCRIPTION	PART NO.	QTY.	NOTES
1	Plate, RH Foamer Bracket	407676B	1	
	Plate, LH Foamer Bracket	407674B	1	
2	Foamer Bracket	405823B	2/4	
3	U-Bolt 3/8-16UNC x 2 3/8	9004684	4	
4	Serrated Flange Nut 3/8-16UNC	9005640	8	Stainless Steel
5	Harness, Switch	9005485	1	
6	Dual Drop Control Module Block	9005203	1	
	Dual Drop 3 Way Solenoid Valve	9005206	1	
	Dual Drop Control Module Bracket	9005207	1	
7	U-Bolt 1/4"-20UNC	9004714	4	Stainless Steel
8	Flange Nut 1/4"-20UNC	9004720	8	Stainless Steel



Unverferth[®]
Manufacturing Company, Inc.

www.unverferth.com